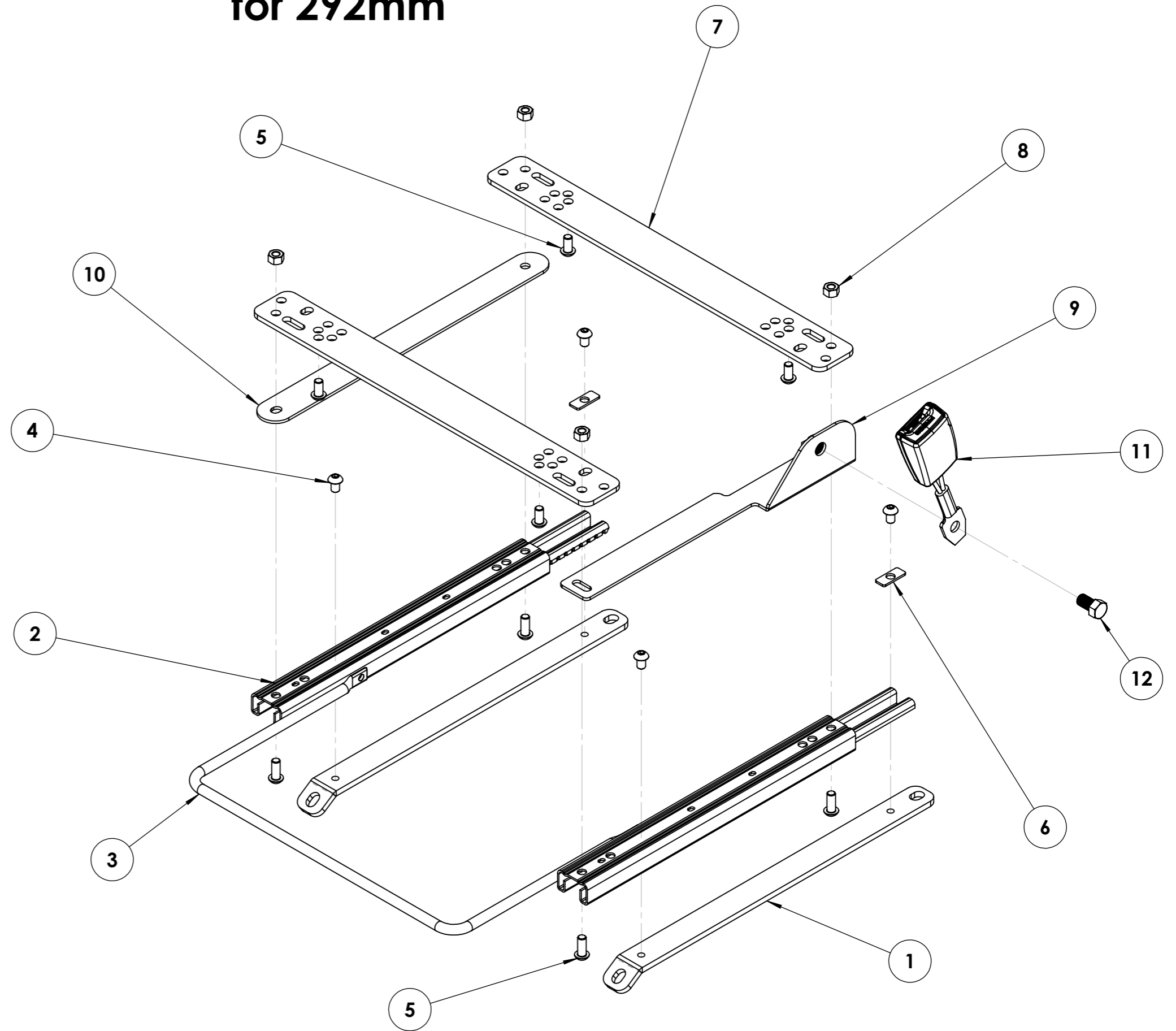


ITEM NO.	PART NUMBER	QTY.
1	FRM-01	1
2	Pair of Premium Runners	1
3	Wide Premium Handle	1
4	M8 x 12mm Button Head Bolt	4
5	M8 x 20mm Button Head Bolt	8
6	M8 Rear Slot Washer	2
7	Pair of Adaption Bars	1
8	M8 Hex Nut	4
9	Seatbelt Bracket (Variable Dependant on Seat Model)	1
10	Spacer Bar	
11	Seatbelt Receiver (If Required)	1
12	7/16" x 20mm Hex Bolt	1

FRM-01 at 405mm with adaption bars for 292mm



NOTE: This drawing is configured for UK Driver's Side. For UK Passenger Side, the Spacer Bar and the Seatbelt Brackets must be on opposite sides in relation to this drawing. Therefore, a Left-Handed Seatbelt Bracket will be required.

**FRM-01 at 405mm
with adaption bars
for 292mm**

