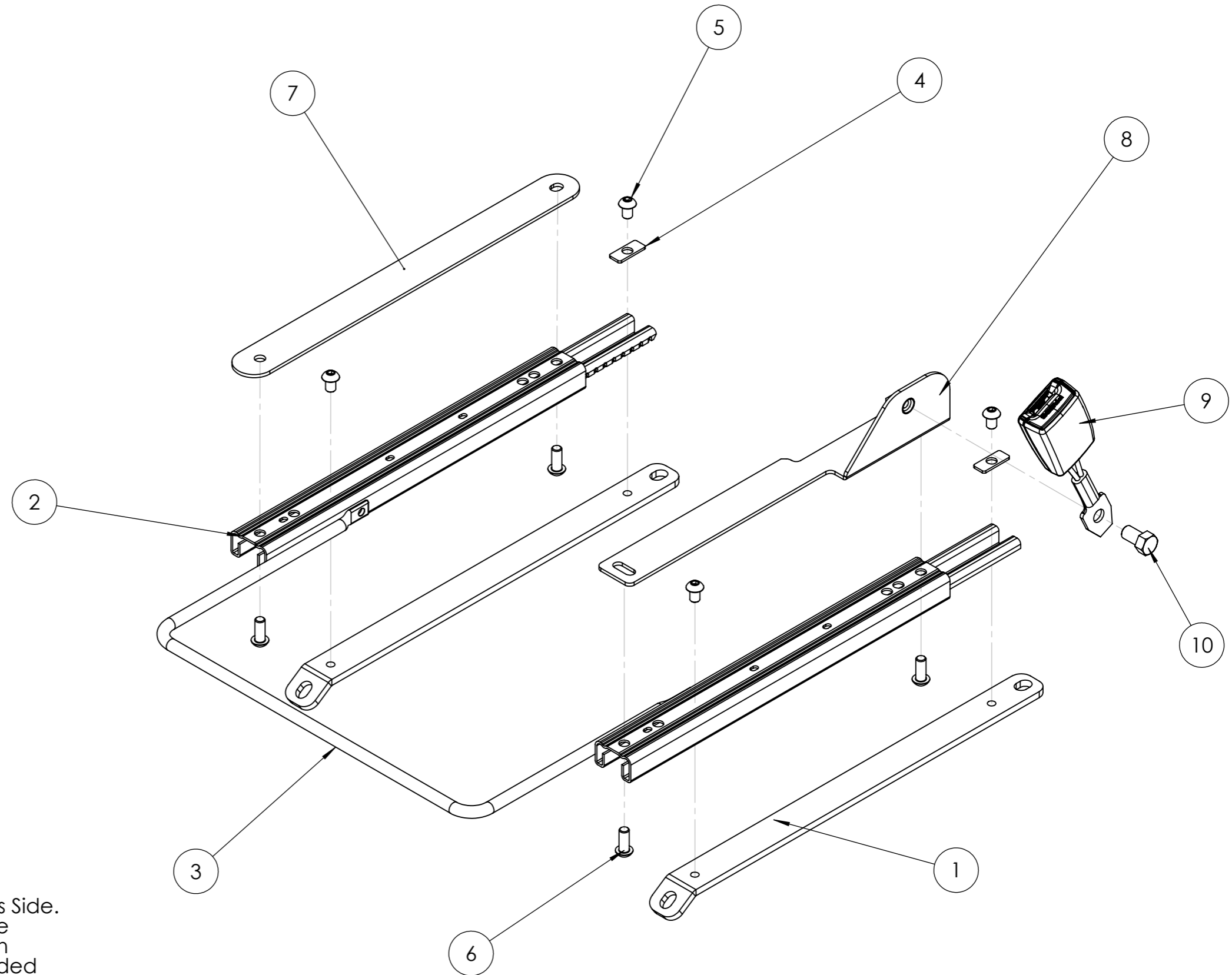


| ITEM NO. | PART | QTY. |
|----------|---|------|
| 1 | FRM-01 | 1 |
| 2 | Pair of Premium Runners | 1 |
| 3 | 405mm Handle | 1 |
| 4 | Runner Rear Slot Washer | 2 |
| 5 | M8 x 12mm Button Head Bolt | 4 |
| 6 | M8 x 20mm Button Head Bolt | 4 |
| 7 | Spacer Bar | 1 |
| 8 | Seatbelt Bracket (Dependant on Seat Model) | 1 |
| 9 | Seatbelt Receiver (If Required) | 1 |
| 10 | 7/16" UNF Hex Bolt | 1 |

FRM-01 at 405mm



NOTE: This drawing is configured for UK Driver's Side.
For UK Passenger Side, the Spacer Bar and the
Seatbelt Brackets must be on opposite sides in
relation to this drawing. Therefore, a Left-Handed
Seatbelt Bracket will be required.