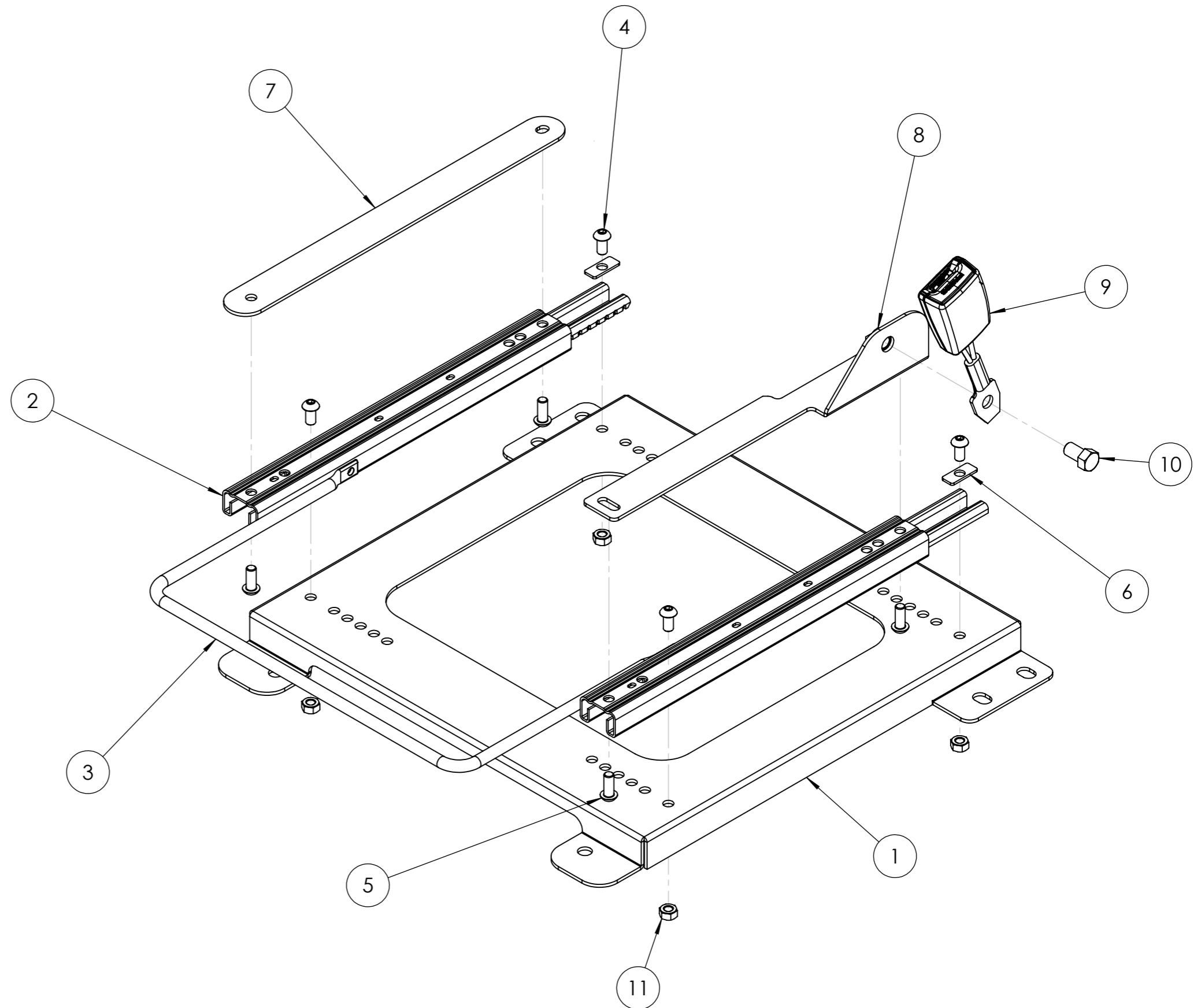


ITEM NO.	PART NUMBER	QTY.
1	FRM-11	1
2	Pair of Premium Runners	1
3	Wide Premium Handle	1
4	M8 x 16mm Button Head Bolt	4
5	M8 x 20mm Button Head Bolt	4
6	M8 Rear Slot Washer	2
7	Spacer Bar	1
8	Seatbelt Bracket (Variable Dependant on Seat Model)	1
9	Seatbelt Receiver (If Required)	1
10	7/16" x 20mm Hex Bolt	1
11	M8 Nyloc Nut	4

FRM-11 at 405mm



NOTE: This drawing is configured for UK Driver's Side.
For UK Passenger Side, the Spacer Bar and the
Seatbelt Brackets must be on opposite sides in
relation to this drawing. Therefore, a Left-Handed
Seatbelt Bracket will be required.