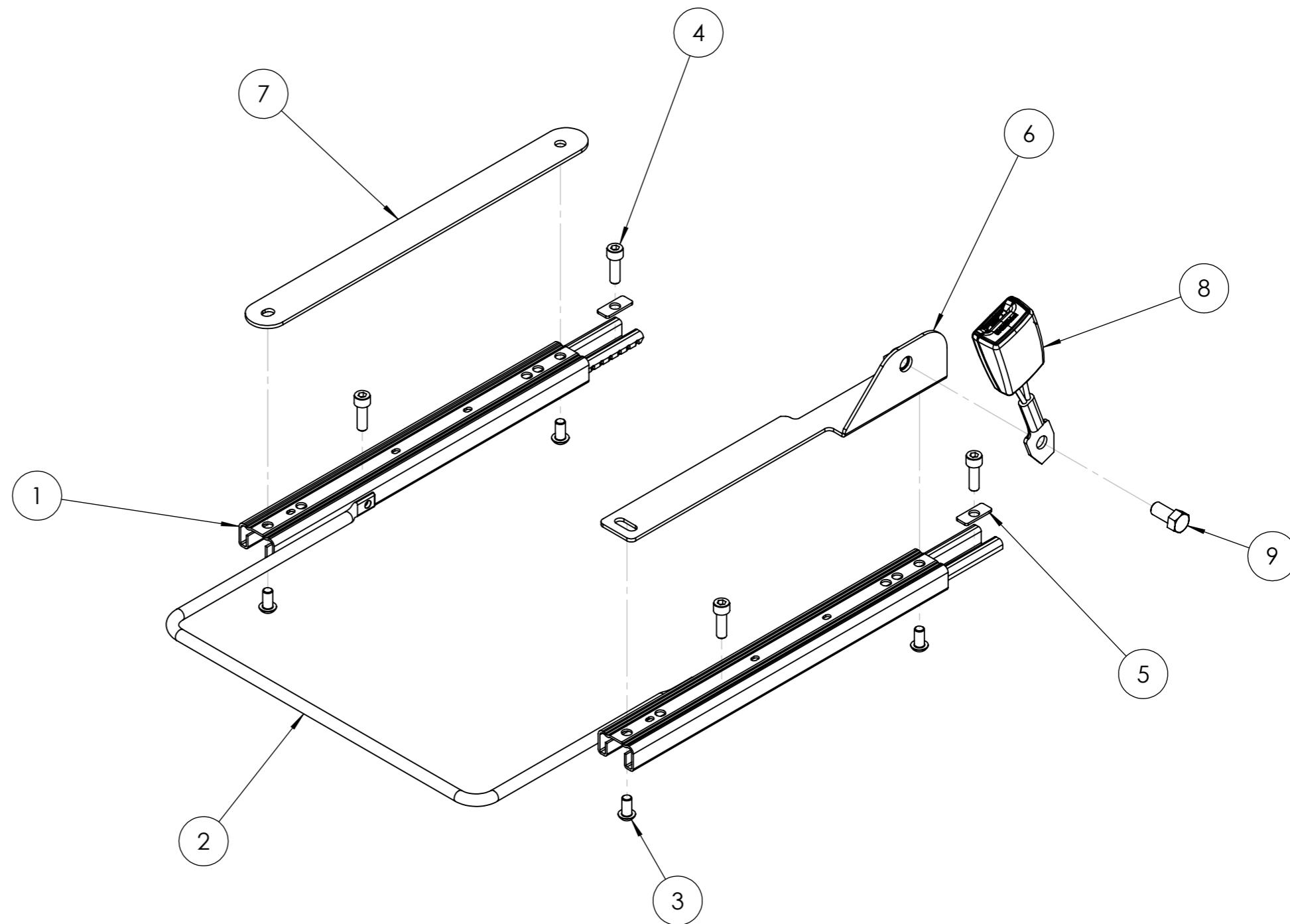


ITEM NO.	PART NUMBER	QTY.
1	FRM-16	1
2	Wide Premium Handle	1
3	M8 x 16mm Button Head Bolt	4
4	OE Floor Fixing Bolt	4
5	M8 Rear Slot Washer	2
6	Seatbelt Bracket (Variable Dependant on Seat Model)	1
7	Spacer Bar	1
8	Seatbelt Receiver (If Required)	1
9	7/16" x 20mm Hex Bolt	1

FRM-16 at 405mm



NOTE: This drawing is configured for UK Driver's Side. For UK Passenger Side, the Spacer Bar and the Seatbelt Brackets must be on opposite sides in relation to this drawing. Therefore, a Left-Handed Seatbelt Bracket will be required.

When fixing the frame to the floor, use OE bolts on ALL 4 fixing points.