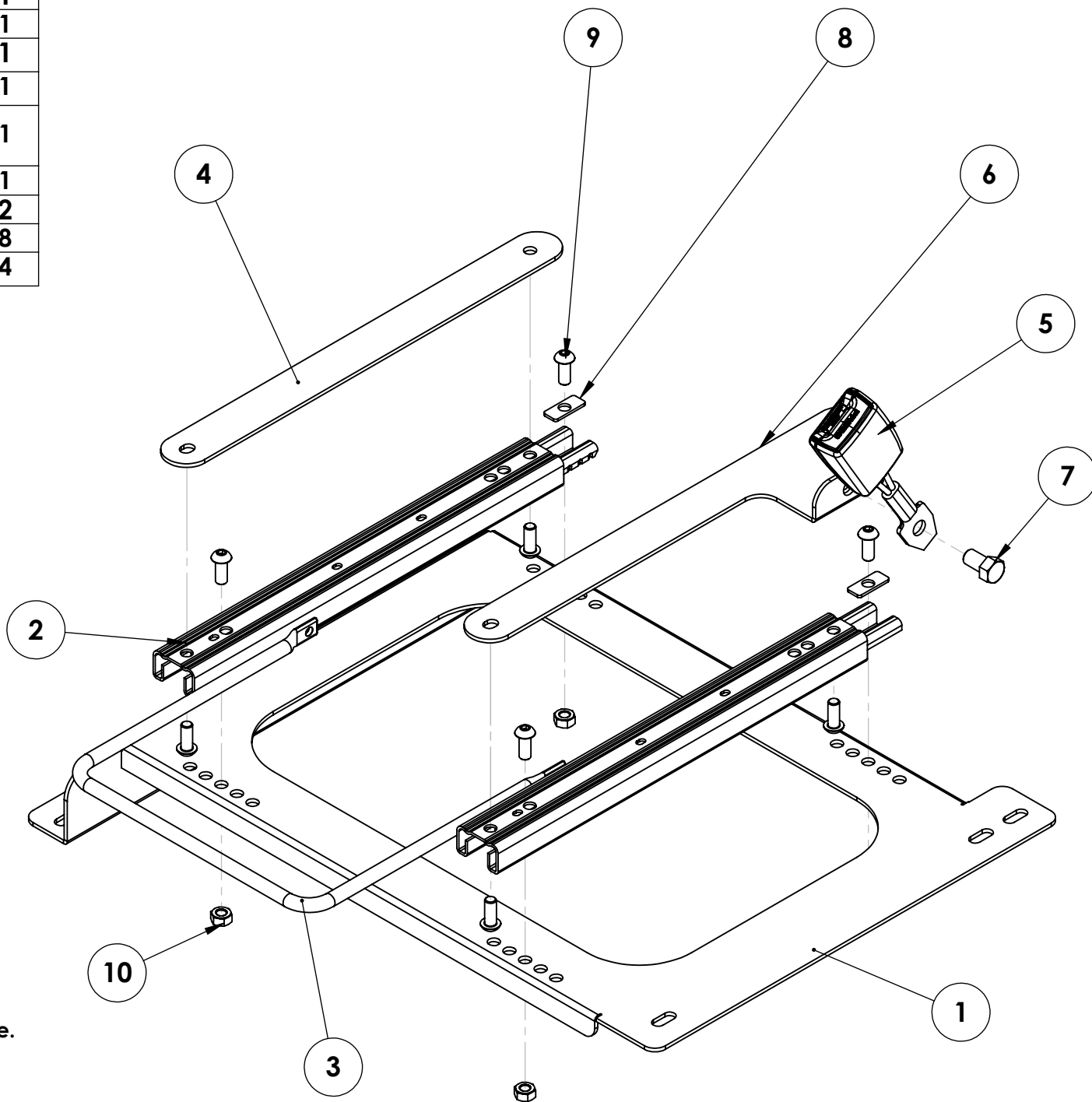


ITEM NO.	PART NUMBER	QTY.
1	FRM-17	1
2	Pair of Premium Runners	1
3	Premium Narrow Handle	1
4	Spacer Bar	1
5	Seatbelt Receiver (If Required)	1
6	Seatbelt Bracket (Variable Dependant on Seat Model)	1
7	7/16" UNF Hex Bolt	1
8	Runner Rear Slot Washer	2
9	M8 x 20mm Button Head Bolt	8
10	M8 Nyloc Nut	4

FRM-17 at 292mm



NOTE: This drawing is configured for UK drivers side. For UK passenger side, the spacer bar and the seatbelt brackets must be on opposite sides in relation to this drawing. Therefore, a left handed seatbelt bracket will be required.