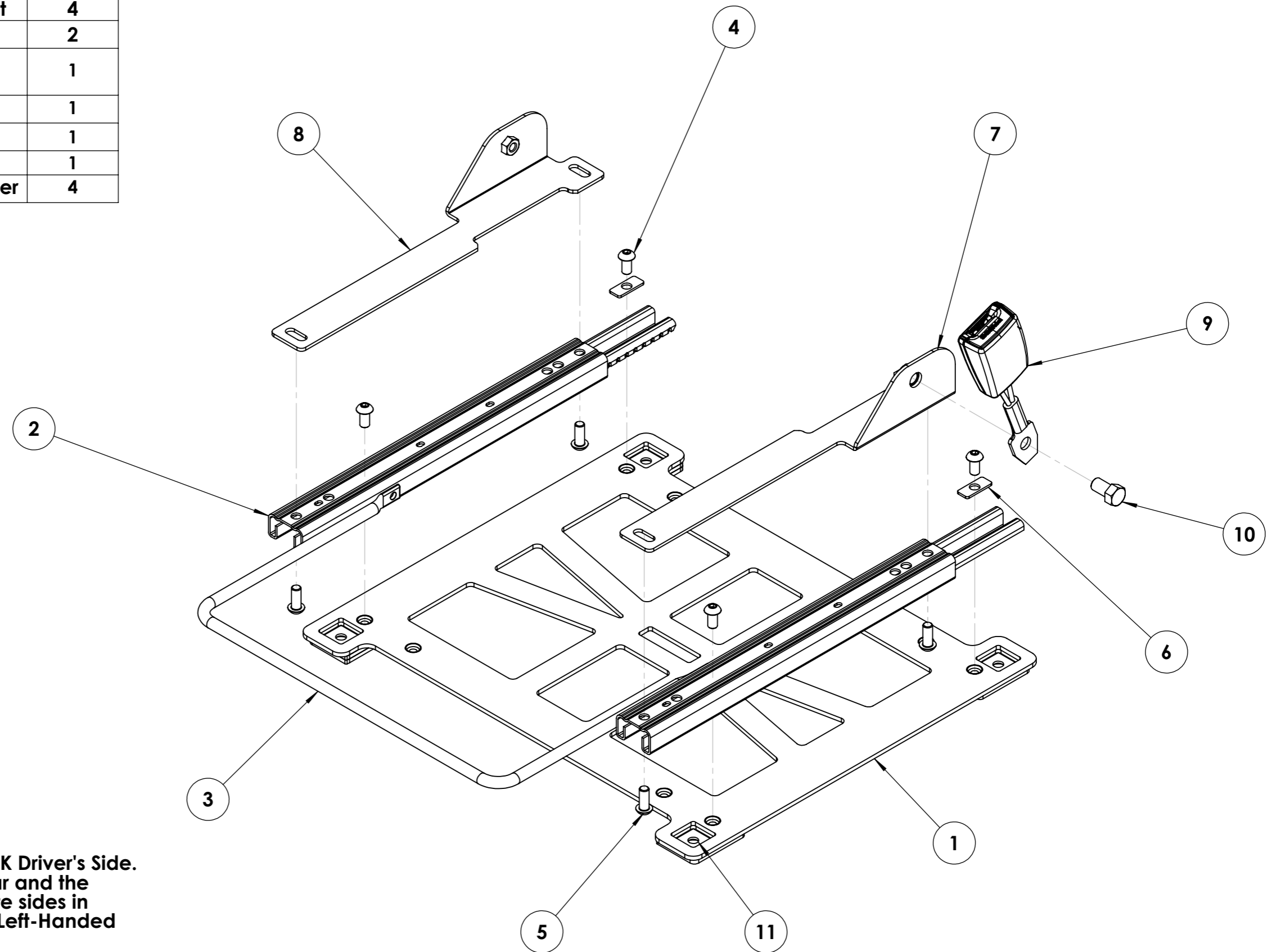


ITEM NO.	PART NUMBER	QTY.
1	FRM-18	1
2	Pair of Premium Runners	1
3	Premium Wide Handle	1
4	M8 x 16mm Button Head Bolt	4
5	M8 x 20mm Button Head Bolt	4
6	M8 Rear Slot Washer	2
7	Seatbelt Bracket (Variable Dependant on Seat Model)	1
8	Secondary Seatbelt Bracket	1
9	OE Seatbelt Receiver	1
10	7/16" x 20mm Hex Bolt	1
11	M8 Square Floor Fixing Washer	4

FRM-18 at 405mm



NOTE: This drawing is configured for UK Driver's Side.
For UK Passenger Side, the Spacer Bar and the Seatbelt Brackets must be on opposite sides in relation to this drawing. Therefore, a Left-Handed Seatbelt Bracket will be required.

When fixing the frame to the floor, use OE bolts through supplied Square Floor Fixing Washers on ALL fixing points.