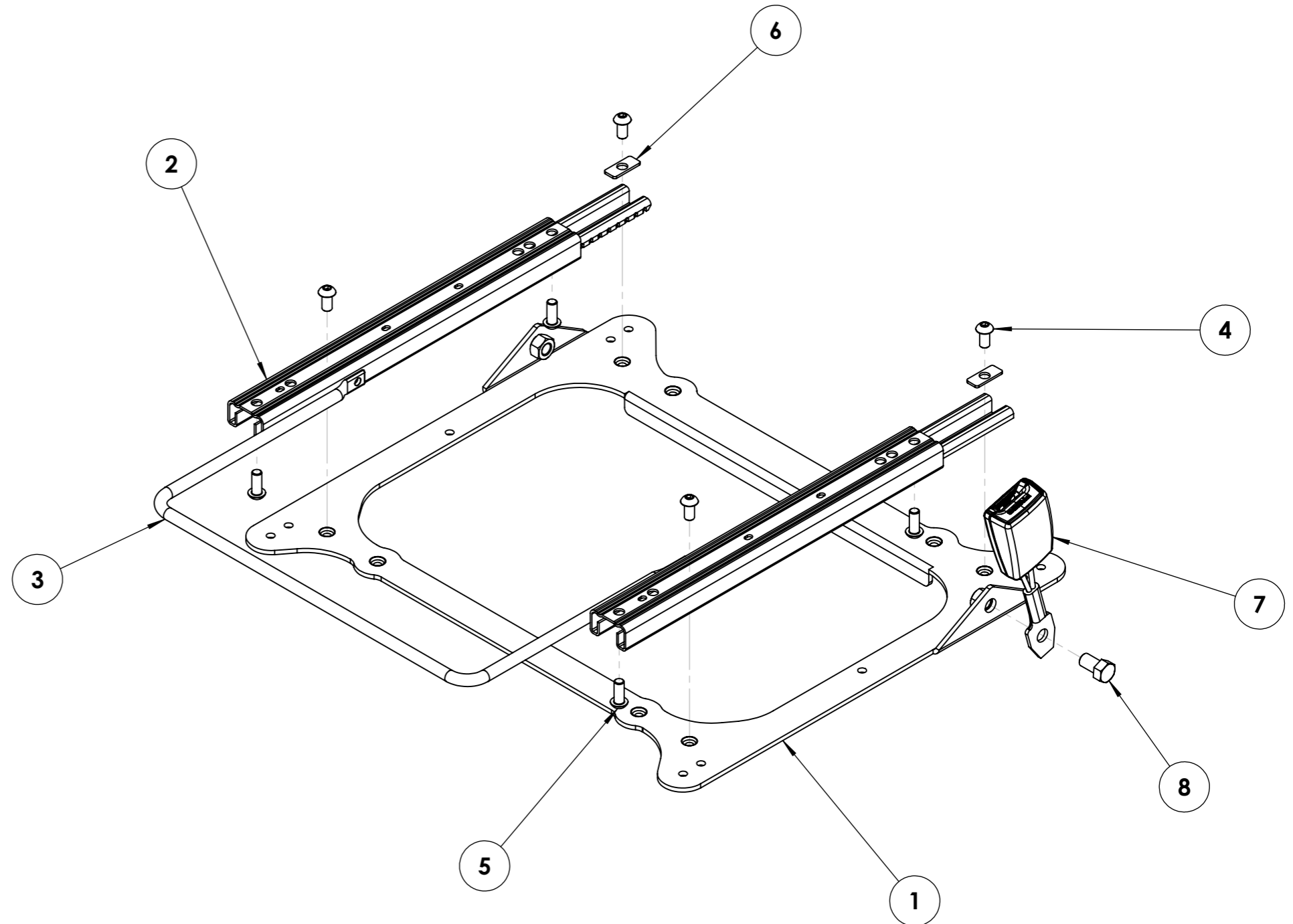


ITEM NO.	PART NUMBER	QTY.
1	FRM-26	1
2	Pair of Premium Runners	1
3	Wide Premium Handle	1
4	M8 x 16mm Button Head Bolt	4
5	M8 x 20mm Button Head Bolt	4
6	M8 Rear Slot Washer	2
7	OEM Porsche Seatbelt Receiver	1
8	7/16" x 20mm Hex Bolt	1

## FRM-26 at 405mm



**NOTE:** This drawing is configured for UK Driver's Side. For Passenger Side, the seatbelt receiver must be attached to the opposing side of the frame in relation to this drawing. The seatbelt receiver used here is for illustrative purposes only, we recommend using the OE seatbelt receiver for this application.

The Seatbelt Receiver used in this drawing is for illustrative purposes. Your receiver's appearance may differ.