

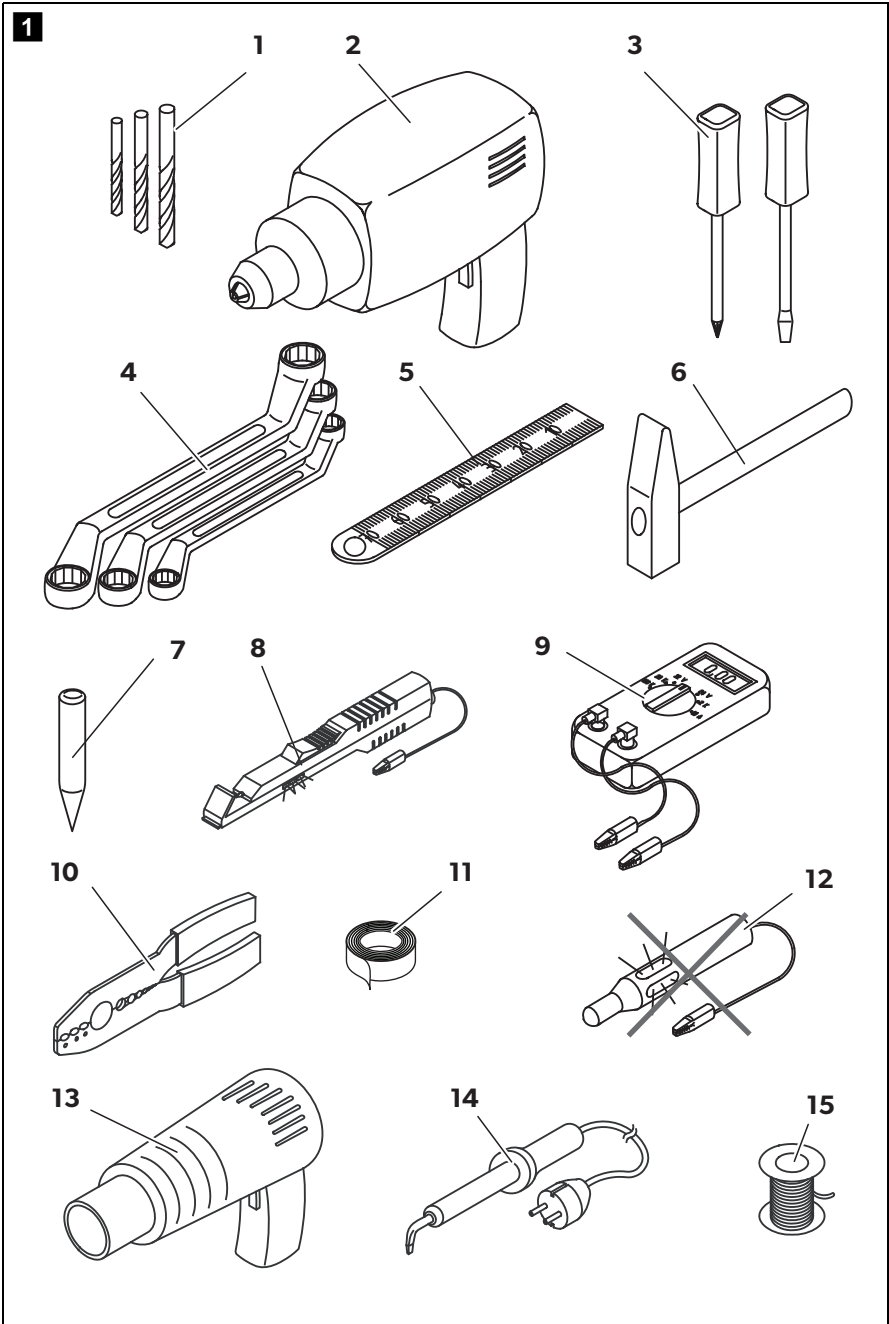
COMPLEMENTARY PRODUCTS

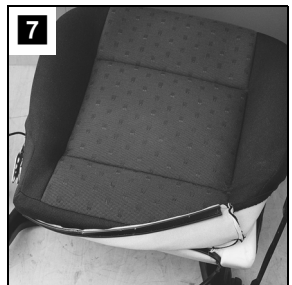
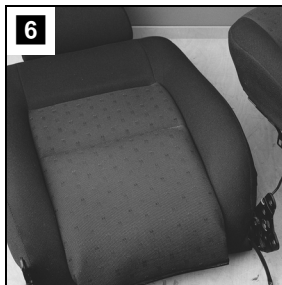
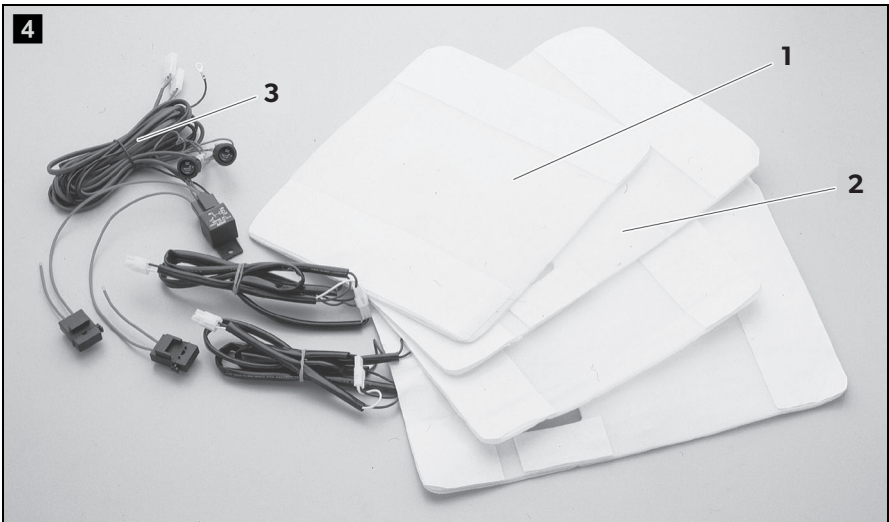
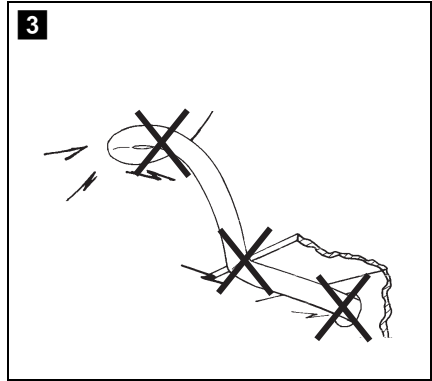
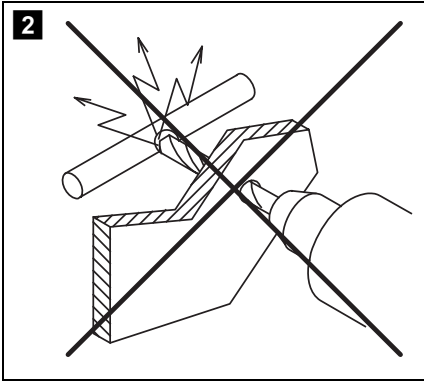
SEAT SYSTEMS

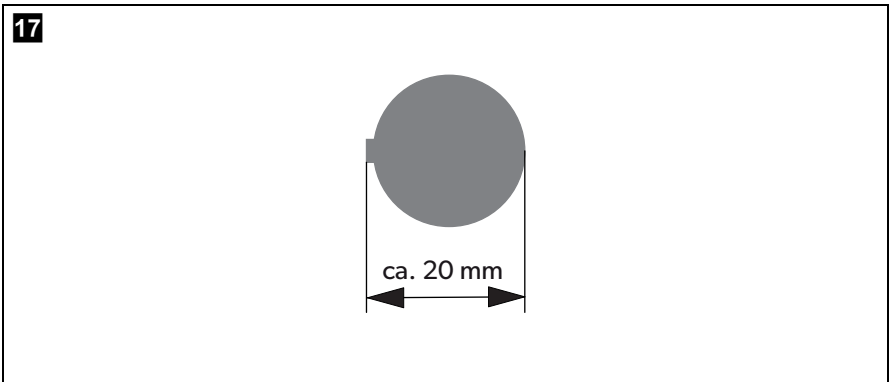
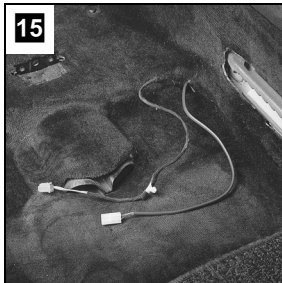
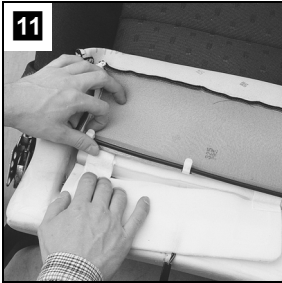
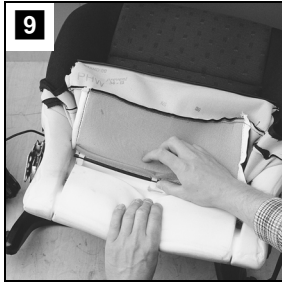
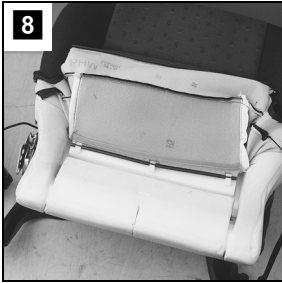


MSH60, MSH601

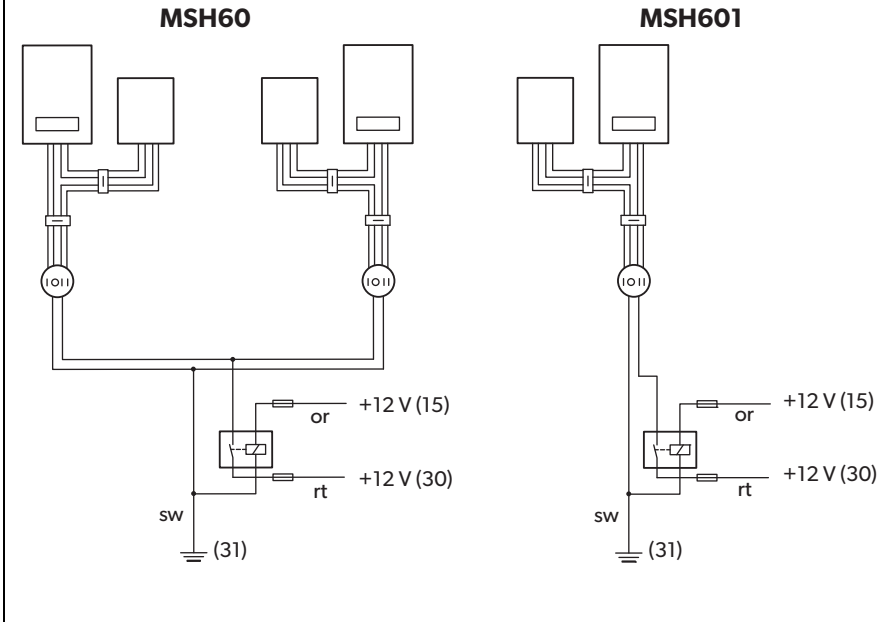
- | | | | |
|-----------|--|-----------|---|
| EN | Retrofit insert seat heater
Installation and Operating Manual 7 | DA | Sædevarme til eftermontering
Monterings- og betjeningsvejledning 81 |
| DE | Nachrüstbare Einbau-Sitzheizung
Montage- und Bedienungsanleitung 17 | SV | Stolvärmeanordning för montering i efterhand
Monterings- och bruksanvisning 91 |
| FR | Calefacción del asiento como aditamento adicional
Instructions de montage et de service 27 | NO | Ettermonterbar setevarmer
Monterings- og bruksanvisning 100 |
| ES | Chauffage de siège, montage ultérieur
Instrucciones de montaje y de uso 38 | FI | Jälkikäteen asennettava istuinlämmitys
Asennus- ja käyttöohje 110 |
| PT | Aquecimento de banco para retromontagem
Instruções de montagem e manual de instruções 49 | RU | Встраиваемый комплект обогрева сидений
Инструкция по монтажу и эксплуатации 120 |
| IT | Riscaldamento sedili addizionale
Istruzioni di montaggio e d'uso 60 | PL | System podgrzewania foteli do montażu
Instrukcja montażu i obsługi 131 |
| NL | In te bouwen stoelverwarming
Montagehandleiding en gebruiksaanwijzing 71 | SK | Vyhrievanie sedadla určené pre dodatočnú montáž
Návod na montáž a uvedenie do prevádzky 142 |
| | | CS | Vestavné vyhřívání sedadla
Návod k montáži a obsluze 152 |
| | | HU | Utólag beszerelhető ülésfűtés
Szerelési és használati útmutató 162 |







18



	EN	DE	FR	ES	PT	IT	NL	DA
sw	Black	Schwarz	Noir	Negro	Preto	Nero	Zwart	Sort
or	Orange	Orange	Orange	Naranja	Cor de laranja	Arancione	Oranje	Orange
rt	Red	Rot	Rouge	Rojo	Vermelho	Rosso	Rood	Rød

	SV	NO	FI	RU	PL	SK	CS	HU
sw	Svart	Svart	Musta	Черный	Czarny	Čierna	Černá	Fekete
or	Orange	Oransje	Oranssi	Оранжевый	Pomarańczowy	Oranžová	Oranžová	Narancs
rt	Röd	Rød	Punainen	Красный	Czerwony	Červená	Červená	Piros

Please read this instruction manual carefully before installation and first use, and store it in a safe place. If you pass on the product to another person, hand over this instruction manual along with it.

Contents

1	Explanation of symbols	8
2	Safety and installation instructions	8
3	Scope of delivery	11
4	Accessories	11
5	Intended use	12
6	Technical description	12
7	Installing the seat heater	12
8	Using the seat heater	15
9	Guarantee	16
10	Disposal	16
11	Technical data	16

1 Explanation of symbols

**WARNING!**

Safety instruction: Failure to observe this instruction can cause fatal or serious injury.

**CAUTION!**

Safety instruction: Failure to observe this instruction can lead to injury.

**NOTICE!**

Failure to observe this instruction can cause material damage and impair the function of the product.

**NOTE**

Supplementary information for operating the product.

2 Safety and installation instructions

The manufacturer accepts no liability for damage in the following cases:

- Faulty assembly or connection
- Damage to the product resulting from mechanical influences and excess voltage
- Alterations to the product without express permission from the manufacturer
- Use for purposes other than those described in the operating manual

Please observe the prescribed safety instructions and stipulations from the vehicle manufacturer and service workshops.

**WARNING!**

Inadequate supply cable connections could result in short circuits, which could have as a consequence that:

- Cable fires occur
- The airbag is triggered
- Electronic control devices are damaged
- Electric functions fail (indicators, brake light, horn, ignition, lights)

**NOTICE!**

To prevent the risk of short circuits, always disconnect the negative terminal of the vehicle's electrical system before working on it.

If the vehicle has an additional battery, its negative terminal should also be disconnected.

Please observe the following instructions:

- When working on the following cables, only use insulated cable lugs, plugs and flat push-on receptacles:
 - 30 (direct supply from positive battery terminal)
 - 15 (connected positive terminal, behind the battery)
 - 31 (return line from the battery, earth)
 - L (indicator lights left)
 - R (indicator lights right)

Do **not** use terminal strips.

- Use a crimping tool to connect the cables.
- When connecting to cable 31 (earth), screw the cable
 - to the vehicle's earth bolt with a cable lug and a gear disc or
 - to the sheet-metal bodywork with a cable lug and a self-tapping screw.

Ensure that there is a good earth connection.

If you disconnect the negative terminal of the battery, all data stored in the volatile memories will be lost.

- The following data must be set again, depending on the vehicle equipment options:
 - Radio code
 - Vehicle clock
 - Timer
 - On-board computer
 - Seat position

You can find instructions for making these settings in the appropriate operating instructions.

Observe the following installation instructions:

**CAUTION!**

- Secure the parts installed in the vehicle in such a way that they cannot become loose under any circumstances (sudden braking, accidents) and cause **injuries to the occupants** of the vehicle.

- Secure any parts of the system covered by the bodywork in such a manner that they cannot be come loose or damage other parts and cables or impair vehicle functions (steering, pedals, etc).
- Always follow the safety instructions of the vehicle manufacturer. Some work (e.g. on retention systems such as the AIRBAG etc.) may only be performed by qualified specialists.

**NOTICE!**

- To prevent damage when drilling, make sure there is sufficient space on the other side for the drill head to come out.
- Deburr all drill holes and treat them with a rust-protection agent.

Observe the following instructions when working with electrical parts:

**NOTICE!**

- When testing the voltage in electrical cables, only use a diode test lamp or a voltmeter. Test lamps with an illuminant take up voltages which are too high and which can damage the vehicle's electronic system.
- When making electrical connections, ensure that:
 - they are not kinked or twisted
 - they do not rub on edges
 - they are not laid in sharp edged ducts without protection.
- Insulate all connections.
- Secure the cables against mechanical wear with cable binders or insulating tape, for example to existing cables.

Observe the following instructions when using the seat heater:

- Do not place any sharp or heavy objects on the seat, as the seat heater could otherwise be damaged.
- Persons with an impaired sensitivity to heat should only operate the seat heater at level I.
- Do not place any heat insulating objects, such as blankets or coats, on the seat when the seat heater is switched on.
- The seat heater can be damaged by fluids spilt on the seat.
- Never switch the seat heater on when it is wet.

3 Scope of delivery

MagicComfort MSH60

No. in fig. 4, page 4	Quantity	Description	Ref. no.
1	2	Backrest heating element	9101700028
2	2	Seat surface heating element	9101700027
3	1	Connection cable with relay and switch	9101700030
–	1	Drill template	
–	4	Double-sided adhesive tape	
–	1	Operating manual	

MagicComfort MSH601

No. in fig. 4, page 4	Quantity	Description	Ref. no.
1	1	Backrest heating element	9101700028
2	1	Seat surface heating element	9101700027
3	1	Connection cable with relay and switch	9101700029
–	1	Drill template	
–	2	Double-sided adhesive tape	
–	1	Operating manual	

4 Accessories

Available as accessory (not included in scope of delivery):

Description	Ref. number
Switch	9101700033

5 Intended use

The seat heater MagicComfort MSH60 (ref. no. 9600000393) and MSH601 (ref. no. 9600000394) are designed for installation in the front vehicle seats.



NOTICE!

For vehicles equipped with side airbags in the seat backrests, seat occupancy detection or child seat detection, observe the vehicle manufacturer's specifications.

6 Technical description

The heating elements for the seat heater MagicComfort MSH60 and MagicComfort MSH601 can be installed in the driver's seat and in the passenger seat.

The shape of the seat is not altered by the heating elements.

The seat heater is operated using a switch.

7 Installing the seat heater

7.1 Tools required (fig. 1, page 3)

For **installation and assembly** you will need the following tools:

- Drill bit set (1)
- Drill (2)
- Screwdriver (3)
- Set of ring or open-ended spanners (4)
- Measuring ruler (5)
- Hammer (6)
- Centre punch (7)

To make and test the **electrical connection**, the following tools are required:

- Diode test lamp (8) or voltmeter (9)
- Crimping tool (10)
- Insulating tape (11)
- Hot air blower (13)

- Soldering iron (**14**)
- Solder (**15**)
- Cable bushing sleeves (if necessary)

To **fasten the cables** you may require additional cable binders.

7.2 Installing the seat heater

The seat heater *MagicComfort MSH60* includes heating elements for the driver's and passenger seats; the seat heater *MagicComfort MSH601* only includes heating elements for the driver's **or** passenger seat.

Removing the seat

- Secure the vehicle against rolling away.



NOTICE!

For vehicles with side air bags in the seat backrest, observe the manufacturer's instructions on removing the seats and the upholstery.

- Check the suitability for installation using these installation instructions and the manufacturer's information.
- Remove the fastening screws from the vehicle seat.
- Lift the seat out of the vehicle.

Preparing the seat

- Remove all plastic panelling from the seat to ensure the fastening of the cover fabric can be reached.
- Separate the backrest from the seat (fig. **5**, page 4 and fig. **6**, page 4).
- Open the seat cover on the seat surface.
The cover fabric is usually tucked into a seam on the frame with a wide cardboard strip or metal wire.
- Remove the fasteners using a screwdriver and pliers (fig. **7**, page 4 and fig. **8**, page 5).
- Remove any upholstery staples or cross braces (fig. **9**, page 5).

Installing the heating element for the seat surface



NOTICE!

The heating cables must not be damaged or bent sharply. In case you need to make cuts in the heating element, pay attention to the routing of the heating cables.

- ▶ Insert the heating element for the seat surface between the cover fabric and the foam core of the seat (fig. **10**, page 5).



NOTE

To bridge the stitching recesses or the cross braces with which the seat cover is additionally secured to the foam core, a recess is provided on the heating element of the seat surface.

- ▶ Depending on the seat, guide this area through the stitching recess (fig. **11**, page 5) or place this area through the recesses in the tunnel for the cross braces.
- ▶ Fasten the heating element using double-sided adhesive tape to prevent it sliding on the foam core.
Ensure that no creases or kinks form.

Installing the heating element for the backrest

- ▶ Open the lower area of the backrest cover (fig. **12**, page 5).
- ▶ Push the heating element into the gap between the seat cover and the seat cushion (fig. **13**, page 5).
- ▶ Fasten the heating element using double-sided adhesive tape to prevent creases.



NOTE

The heating surface only needs to extend approx. 30 – 35 cm above the seat, as the driver, when sitting normally, leans against this area only. If the seats are equipped with side airbags, then there is a predetermined breaking point in the cover fabric. The seat cover must therefore not be pulled tightly or slip out of place.

Installing the seat

- ▶ Lift the seat into the vehicle.
- ▶ Secure the vehicle seat with the fastening screws.

Electrical connection

The seat heater MagicComfort MSH60 has one switch each for the driver's and passenger seats, the seat heater MagicComfort MSH601 only one for the seat chosen.

The complete circuit diagram can be found in fig. **18**, page 6.





NOTICE!

Ensure it has been securely fitted, particularly in the area of the seat rails.

- ▶ Find a suitable place for installing the seat heater switch.
If possible, use the blanking plugs provided for this purpose.
Ensure that there is enough room behind the panel for the installation of the switch.
- ▶ Mark the switch cut-out using the template provided (fig. **17**, page 5).
- ▶ Cut out the marked area with an appropriate tool.
- ▶ Install the switch into the cut-out (fig. **14**, page 5).
- ▶ Install the ready-made wiring harness so that the cables cannot bend or fray (fig. **15**, page 5).

8 Using the seat heater

- ▶ Switch on the seat heater using the corresponding switch (level  or level .
- ▶ To switch the seat heater off: Put the corresponding switch into the middle position.

9 Guarantee

The statutory warranty period applies. If the product is defective, please contact the manufacturer's branch in your country (see the back of the instruction manual for the addresses) or your retailer.

For repair and guarantee processing, please send the following items:

- Defect components
- A copy of the receipt with purchasing date
- A reason for the claim or description of the fault

10 Disposal

- ▶ Place the packaging material in the appropriate recycling waste bins wherever possible.



If you wish to finally dispose of the product, ask your local recycling centre or specialist dealer for details about how to do this in accordance with the applicable disposal regulations.

11 Technical data

	MagicComfort MSH60	MagicComfort MSH601
Ref. no.:	9600000393	9600000394
Operating voltage:	12 V $\overline{=}$	
Current consumption:	Level I: 1.8 A per seat Level II: 3.4 A per seat	Level I: 1.8 A Level II: 3.4 A
Dimensions:	Seat element: 400 x 280 mm Backrest element: 300 x 280 mm	

Mobile living made easy.



dometic.com

**YOUR LOCAL
DEALER**

dometic.com/dealer

**YOUR LOCAL
SUPPORT**

dometic.com/contact

**YOUR LOCAL
SALES OFFICE**

dometic.com/sales-offices

A complete list of Dometic companies, which comprise the Dometic Group, can be found in the public filings of:
DOMETIC GROUP AB Hemvärnsgatan 15 SE-17154 Solna Sweden