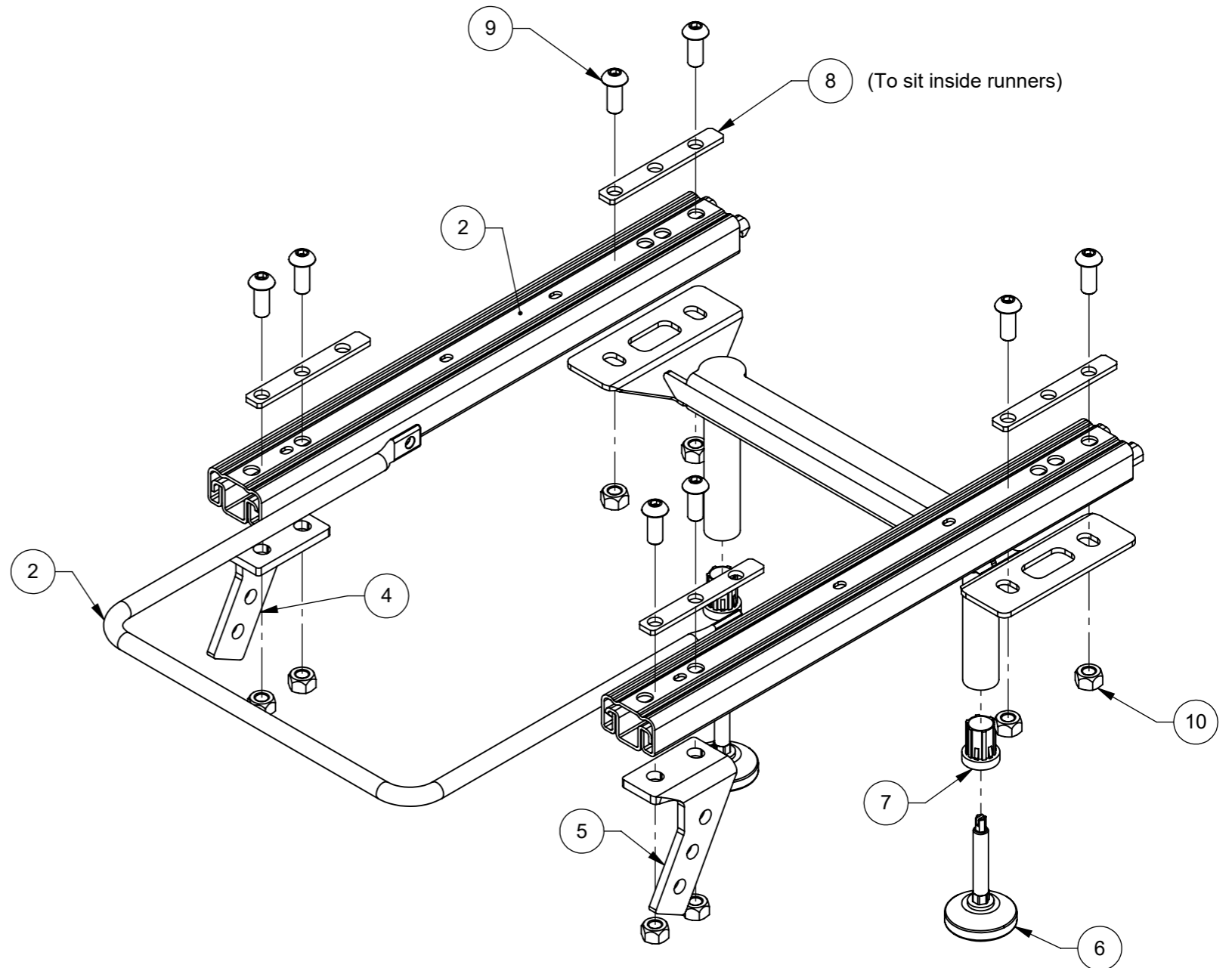


IF IN DOUBT ASK

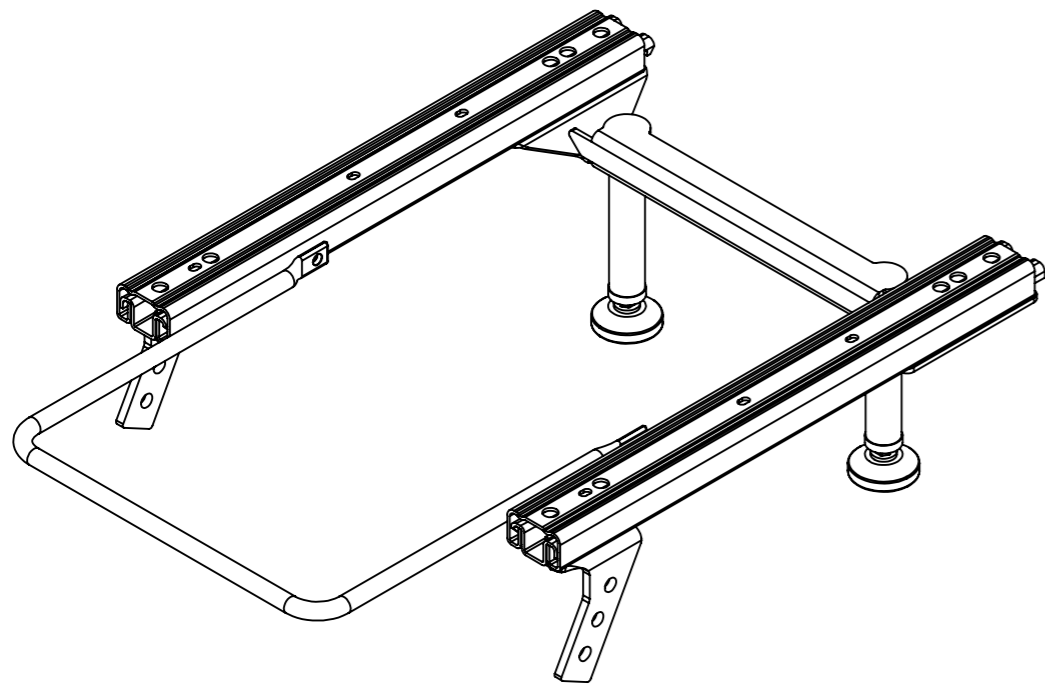
THIS DRAWING AND ANY INFORMATION OR DESCRIPTIVE MATTER SET OUT HEREIN IS THE CONFIDENTIAL COPYRIGHT OF COBRA SEATS LIMITED AND IS ISSUED FOR INFORMATION PURPOSES ONLY AND MUST NOT BE DISCLOSED TO THIRD PARTIES, LOANED, REPRODUCED IN WHOLE OR IN PART OR USED FOR MANUFACTURING, TENDERING OR FOR ANY OTHER PURPOSE WITHOUT THEIR WRITTEN CONSENT.

ITEM NO.	DESCRIPTION	QTY.
1	Adjustable Mini Rear Assembly	1
2	Standard Runners	1
3	Standard Runner Narrow Handle	1
4	Front Leg (RH)	1
5	Front Leg (LH)	1
6	M8 Adjustable Foot	2
7	M8 Threaded Insert (Push Fit)	2
8	Adjustable Mini Spreader Washer	4
9	M8 X 20mm Button Head Bolt	8
10	M8 Nylock Nut	8



Note:

This subframe is not handed and will suit both left handed and right handed fitment.



CN	REV	CREATED	APP	DATE	DETAILS
1st Rel	-	TD	AW	30/8/24	1st Release

WELD SYMBOLS TO ISO 2553

DO NOT SCALE DRAWING

UNLESS OTHERWISE SPECIFIED: DIMENSIONS ARE IN MILLIMETERS		MATERIAL: N/A	FINISH: N/A	Cobra Seats Ltd. Units D1 & D2 Halesfield 23 Telford Shropshire TF7 4NY Tel: 01952 684020 Email: adam@cobraseats.com		DRAWING TYPE Work in Progress	Issue Status: N/A
TOLERANCES: FABRICATION MACHINED / CNC LINEAR: +/- N/A LINEAR: +/- N/A ANGULAR: +/- N/A ANGULAR: +/- N/A MACHINED SURFACE ROUGHNESS 3.2 U.O.S DEBURR AND BREAK SHARP EDGES		SPECIFICATION: N/A	SPECIFICATION: N/A			FIRST DRAWN BY: TD 29/08/2024	DESCRIPTION: Adjustable Mini Assembly
					LAST EDITED BY: N/A N/A	PROJECTION 3rd ANGLE	SCALE: 1:10 A3 SHEET 1 OF 1