

4 3 2 1

F

F

E

E

D

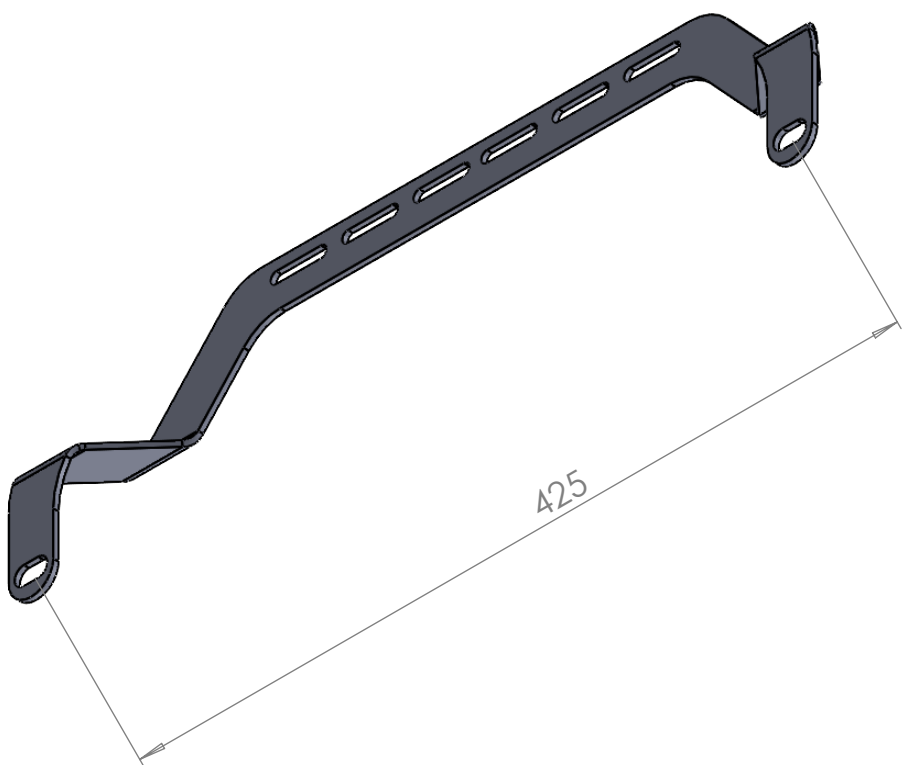
D

C

C

B

B



UNLESS OTHERWISE SPECIFIED:
 DIMENSIONS ARE IN MILLIMETERS
 SURFACE FINISH:
 TOLERANCES:
 LINEAR:
 ANGULAR:

FINISH:

DEBURR AND
 BREAK SHARP
 EDGES

DO NOT SCALE DRAWING

REVISION

	NAME	SIGNATURE	DATE		
DRAWN					
CHK'D					
APPV'D					
MFG					
Q.A					

TITLE:

MATERIAL:

WEIGHT:

DWG NO. **FIE7FE**

SCALE:1:10

SHEET 1 OF 1

A4

4 3 2 1

A

A