

**LAZER**  
HIGH PERFORMANCE LIGHTING

## Boomer Straight-Mount Kit Assembly Instructions



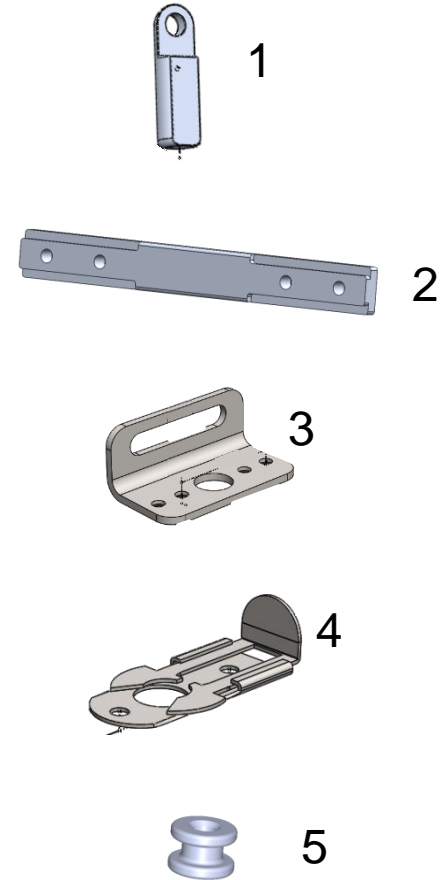
support@lazerlamps.com +44 (0)1992 677 374  
Designed & Manufactured in Great Britain

## PARTS

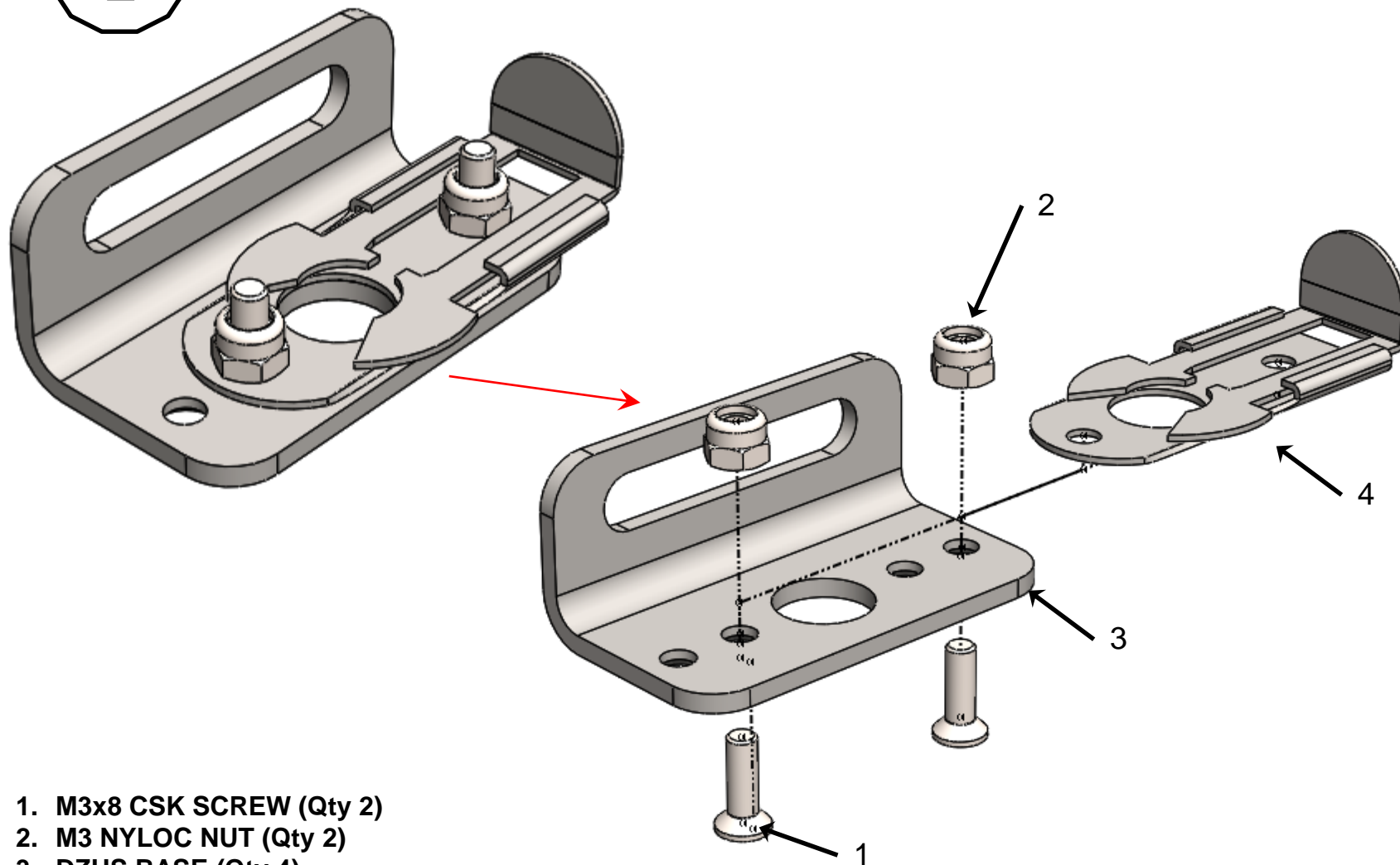
1. ROD END (Qty 8)
2. STRAIGHT CONNECT (Qty 2)
3. DZUS BASE (Qty 4)
4. DZUS CONNECTOR (Qty 4)
5. DZUS CONNECTOR PIN (Qty 4)

## FASTENERS

1. M6x80 STUD (Qty 2)
2. M6x120 STUD (Qty 2)
3. M6x16mm Bolt (Qty 6)
4. M6 Nyloc Nut (Qty 4)
5. M6 Hex Nut (Qty 8)
6. M3x8 CSK Screw (Qty 8)
7. M3 Nyloc Nut (Qty 8)
8. M4x20 Screw (Qty 4)
9. M4 Washer (Qty 8)
10. M5x6 Grub Screw (Qty 8)



1

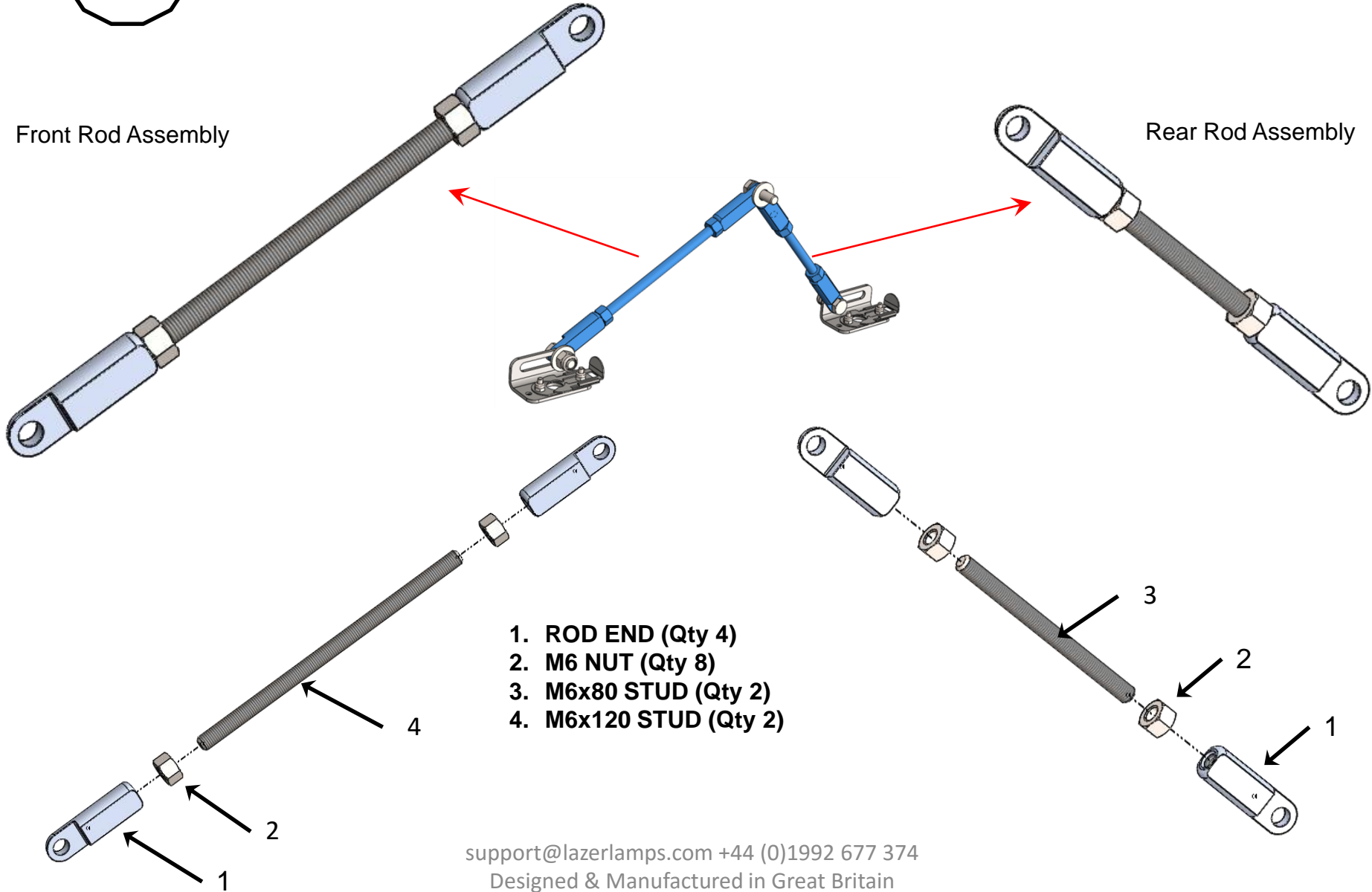


- 1. M3x8 CSK SCREW (Qty 2)
- 2. M3 NYLOC NUT (Qty 2)
- 3. DZUS BASE (Qty 4)
- 4. DZUS CONNECTOR (Qty 4)

2

Front Rod Assembly

Rear Rod Assembly

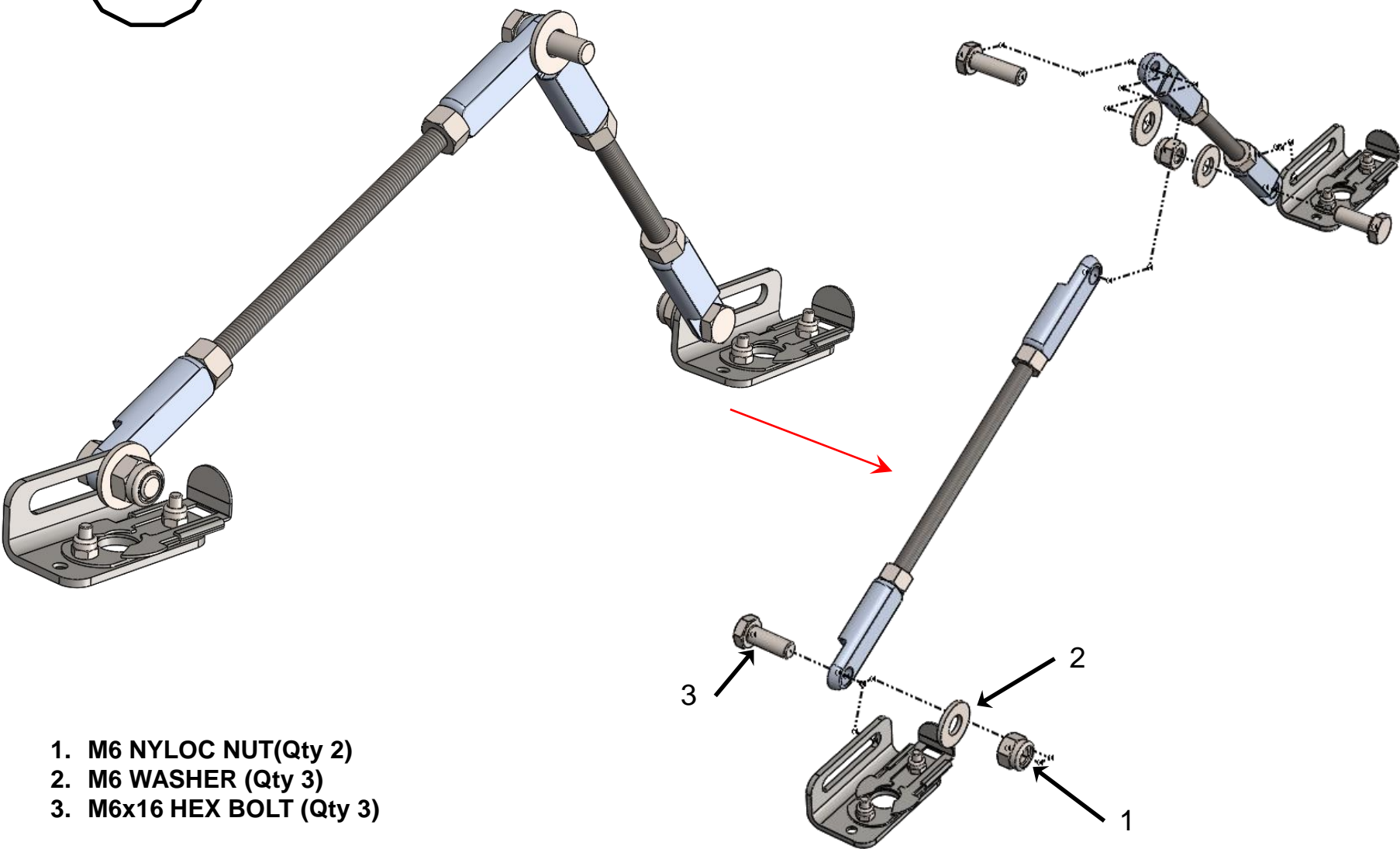


- 1. ROD END (Qty 4)
- 2. M6 NUT (Qty 8)
- 3. M6x80 STUD (Qty 2)
- 4. M6x120 STUD (Qty 2)

3

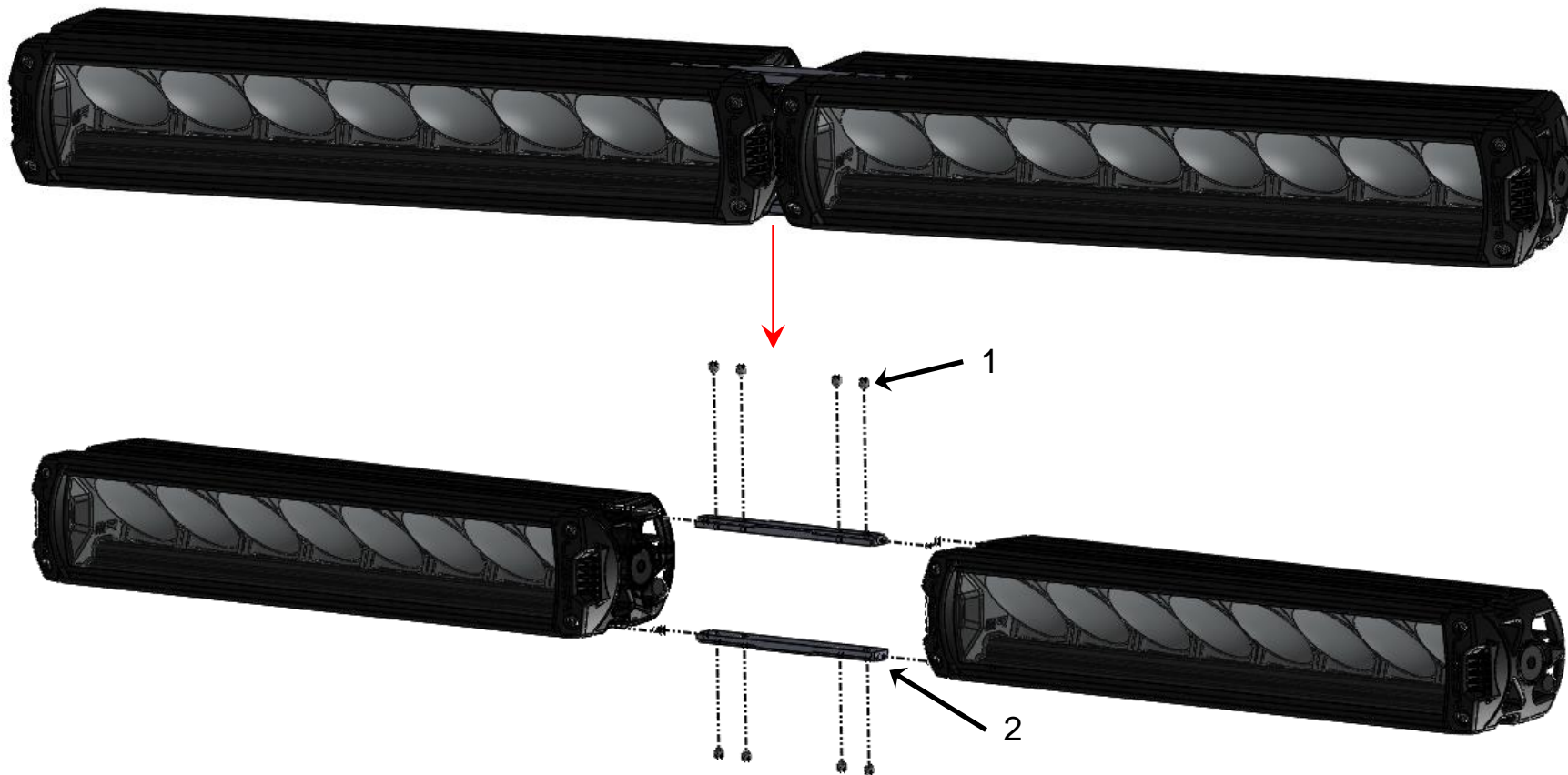
# LAZER

HIGH PERFORMANCE LIGHTING



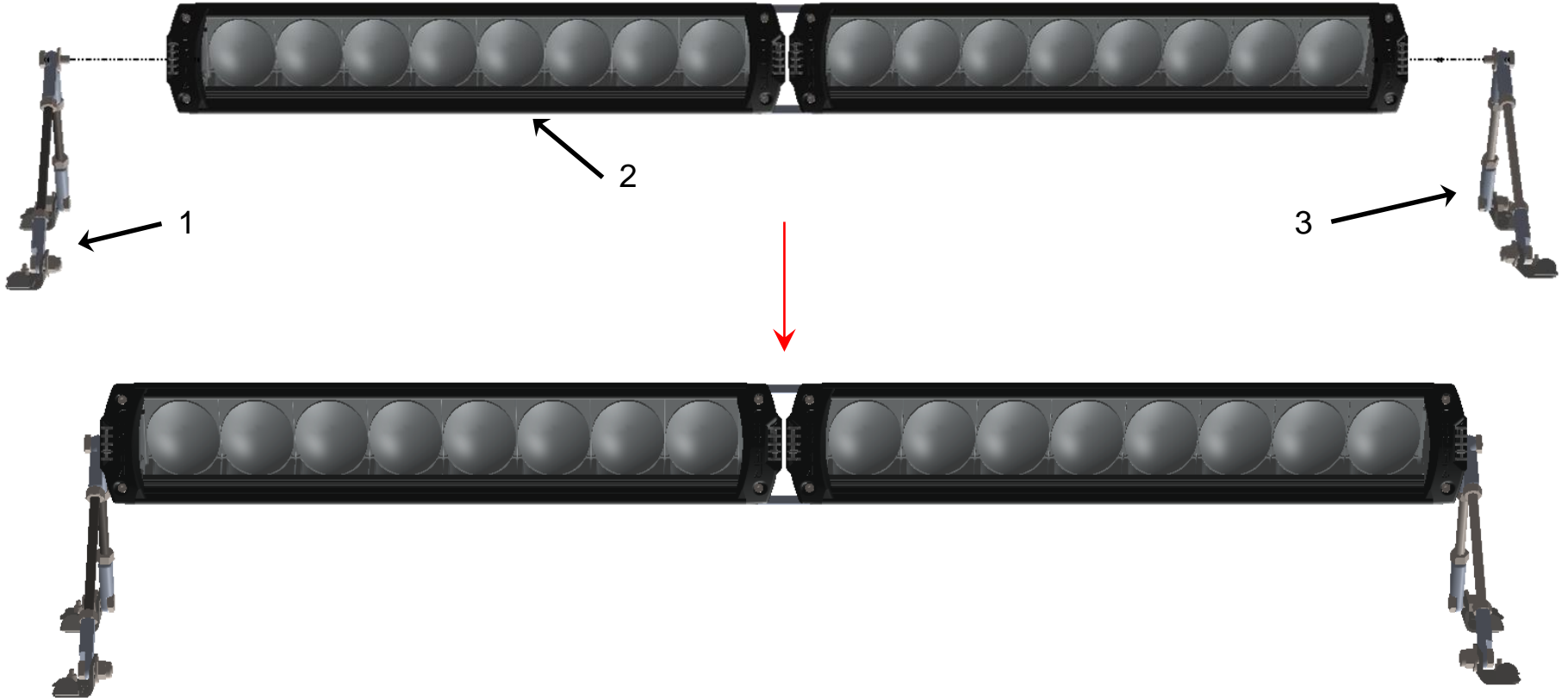
- 1. M6 NYLOC NUT(Qty 2)
- 2. M6 WASHER (Qty 3)
- 3. M6x16 HEX BOLT (Qty 3)

4



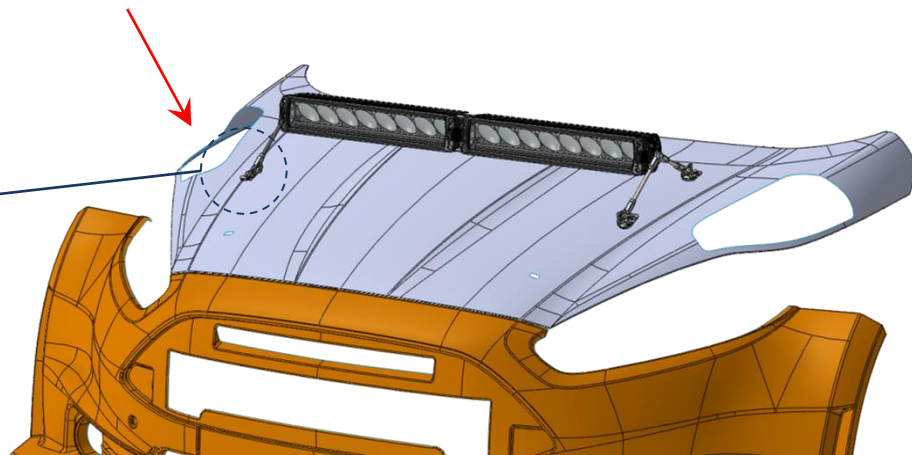
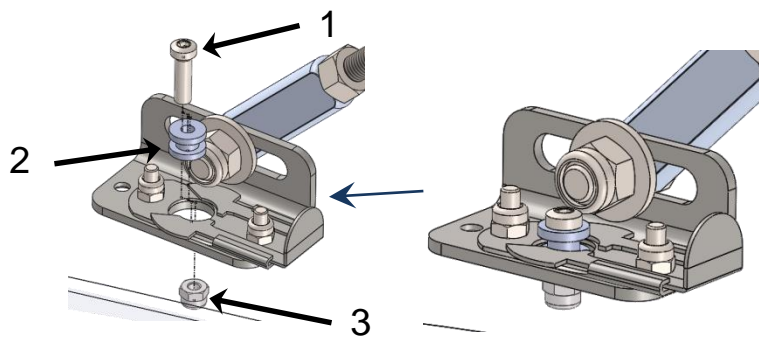
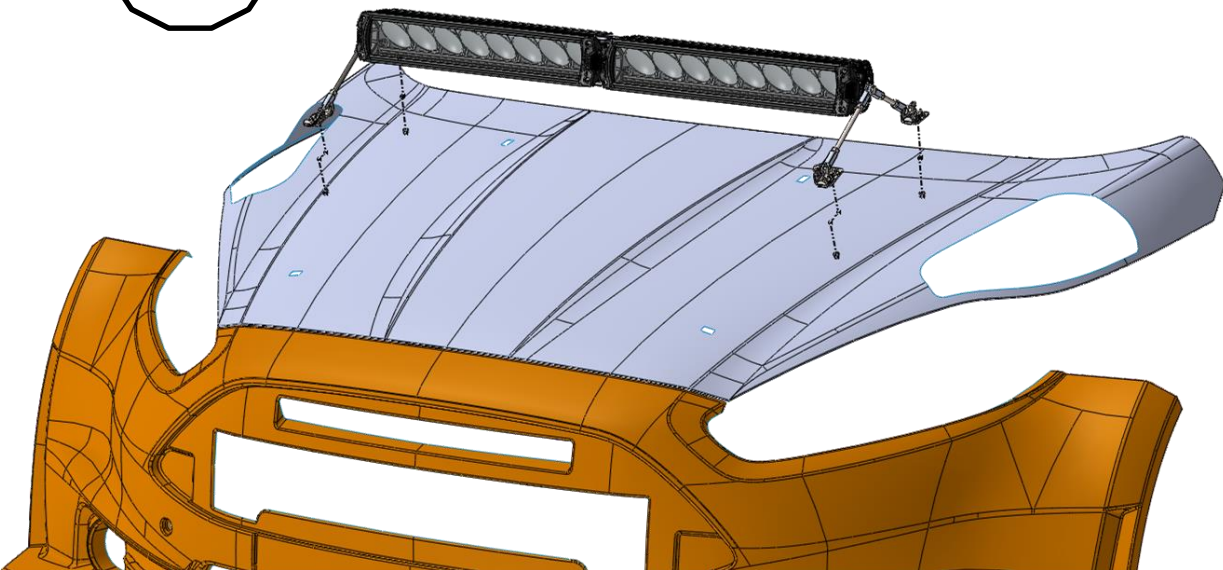
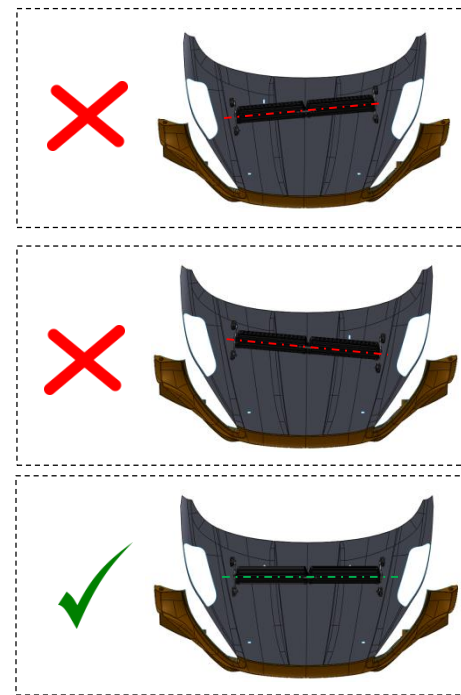
- 1. M5x6 GRUB SCREW (Qty 8)
- 2. STRAIGHT CONNECT (Qty 2)

5



1. BOOMER MOUNTING ARM ASY RH (Qty 1)
2. DUAL TRIPLE R LAMP ASY (Qty 1)
3. BOOMER MOUNTING ARM ASY LH (Qty 1)

6

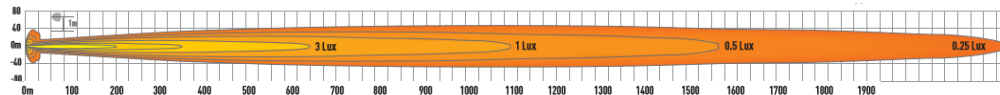
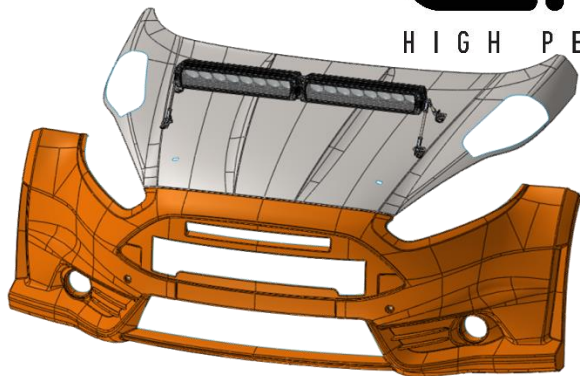


- 1. M4x20 SCREW (Qty 4)
- 2. DZUS CONNECTOR PIN (Qty 4)
- 3. M4 NYLOC NUT (Qty 4)

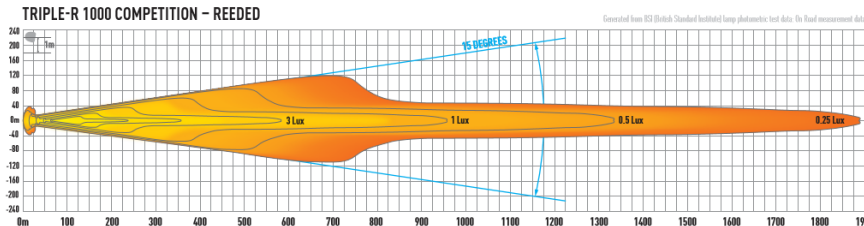
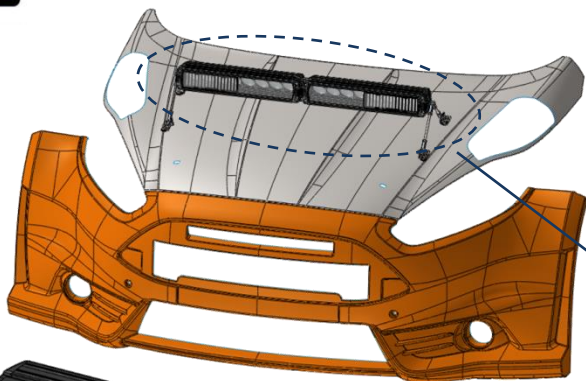


# LAZER

HIGH PERFORMANCE LIGHTING



Also Available : R900K-15H-CLR "REEDED LENS KITS"



support@lazerlamps.com +44 (0)1992 677 374  
Designed & Manufactured in Great Britain