

# UTILITY 25

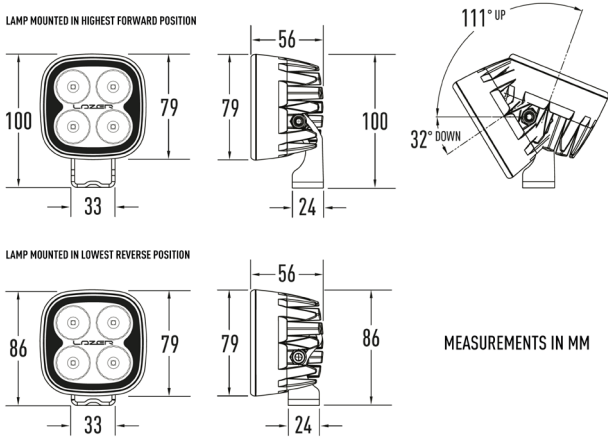
Measuring 80mm x 80mm, and capable of operating between 9-32V, the Utility-25 utilises highly efficient 6W LEDs from a world-leader in LED design and manufacture. Like all Lazer products, the colour temperature of the LEDs is carefully selected at 5000 kelvin to maximise sharpness and definition of the area ahead, without causing fatigue or strain which can come from using LEDs with a higher colour range. The vacuum-metallised optics harness the 3,016 raw lumens delivering 78 degree spread (to 10% of peak intensity). The impressive lighting performance is maintained through the high thermal conductivity of the 'Matrix' cooling system which allows the lamp to be run at a higher drive current without compromising the longevity of the LEDs themselves.



SEE MORE. **WORK SAFER.**

# UTILITY 25

- High density LED's
- Vacuum-metallised optics deliver wide spread of light
- Versatile mounting bracket
- EMC protected
- Electronic thermal management
- CAE optimised 'Matrix' cooling system
- Designed & manufactured in the UK



## TECHNICAL SPECIFICATIONS

\* LED MANUFACTURERS SPECIFICATIONS | † AT 14.4 VOLTS

**E11**  
APPROVED  
WORKLIGHT

UP TO  
**5**  
YEAR  
WARRANTY

**IP69K**  
WATERPROOF

**CISPR 25**  
CLASS  
**5**

<b>WORK LAMP</b>	ECE R10
<b>VOLTAGE RANGE</b>	10V - 32V
<b>RAW LUMENS</b>	4050
<b>BEAM PATTERN</b>	Wide
<b>BEAM DISTANCE (50LX)</b>	7m
<b># HIGH POWER LEDS</b>	4
<b>POWER CONSUMPTION</b>	25 Watts
<b>CURRENT DRAW†</b>	1.6 Amps
<b>LED LIFE</b>	50,000 Hrs*
<b>WEIGHT</b>	360g

<b>SALT SPRAY TEST</b>	ISO 9227 (1000H)
<b>OPERATING TEMPERATURE</b>	-40oC...+90oC
<b>VIBRATION; RANDOM SWEEP (BS EN 60068-2-64)</b>	10HZ > 1000HZ, 0.14>20 (M/S²)²/HZ

