

POWERFLEX®

PART NUMBER

PF34-201

DESCRIPTION

FRONT AND REAR WISHBONE BUSH

INSTALLATION GUIDE

Contents (parts per pack):

14 x PF34-201 Polyurethane Bushes 1 x PTFE/Silicone Grease
14 x Stainless Steel Sleeves

Please read the complete fitting instructions and check package components before fitment. These fitting instructions are to be used as a guide and in conjunction with workshop manual.

It is recommended that:

- all work to be carried out by a licensed technician;
- all safety precautions adhered to;
- wheel alignment to be checked and adjusted as required after any suspension work.
- All fasteners must be tensioned to manufacturer's torque settings.

Fitting Instructions:

1. Take note of the position of the original caster washers next to the OEM Bush, as these will need to be refitted in the same position once the Polyurethane Bushes are fitted.
2. Remove the original bush and clean away dirt or corrosion from the vacant hole, removing any sharp edges using a rounded file. Set aside the previously mentioned caster washers for refitting later.
3. Fit the PF34-201 Bush into the vacant hole, until the bush sits flush and the lip of the bush is in contact with the arm. Please refer to Figures 1 and 2 for the correct positioning of the bushes

- The lip of the PF34-201 Bush should be facing the outside of the arm for the upper arms.

- The lip of the PF34-201 Bush should be facing the inside of the arm for the lower arms.

4. Apply some of the supplied grease to the bore of each bush and insert the Stainless Steel Sleeve into the bore, until it sits flush.
5. Refit the arm, remembering to refit the caster washers in the same position as they previously were with the OEM bush, and tension all hardware to manufacturers recommended torque settings.

Note : This bush replaces all wishbone bushes except the rear lower front bush which uses PF34-202.

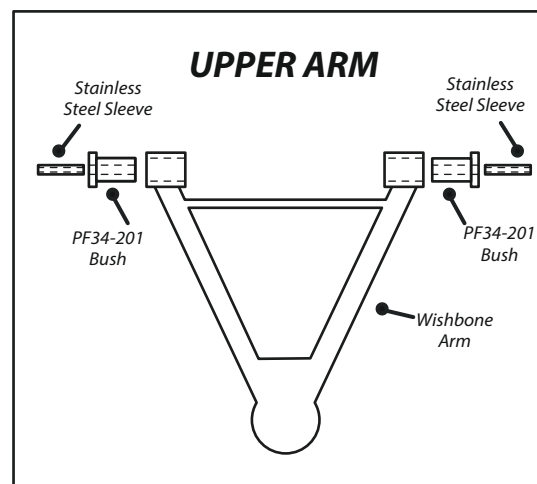


Figure 1 - Positioning of bushes for Upper Arms

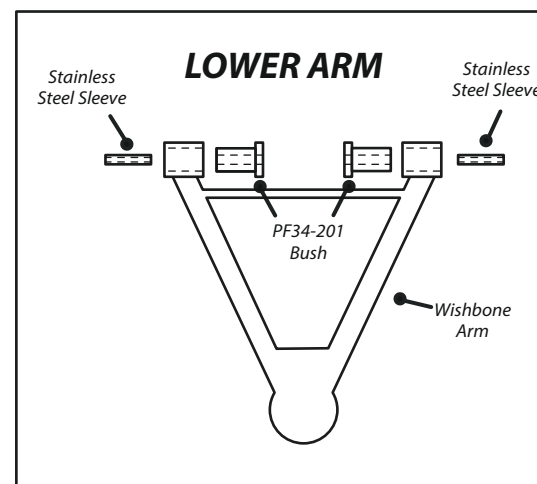


Figure 2 - Positioning of bushes for Lower Arms