

POWERFLEX®

PART NUMBER

PFR1-1010

DESCRIPTION

REAR TRAILING ARM BUSH

INSTALLATION GUIDE

Contents (parts per pack):

4 x Polyurethane Bushes

2 x Zinc Plated Steel Outer Shells

4 x Anodised Aluminium Outer Sleeves

1 x PTFE/Silicone Grease

2 x Stainless Steel Sleeves

4 x Zinc Plated Steel Washers

Please read the complete fitting instructions and check package components before fitment. These fitting instructions are to be used as a guide and in conjunction with workshop manual.

It is recommended that:

- all work to be carried out by a licensed technician;
- all safety precautions adhered to;
- wheel alignment to be checked and adjusted as required after any suspension work.
- All fasteners must be tensioned to manufacturer's torque settings.

Fitting Instructions:

1. Remove the original bush from the rear trailing arm.

2. Clean any dirt and corrosion from the bore of the arm and file off any sharp edges.

3. Press the metal outer shell into the arm.

Tip: Apply some washing up liquid to the polyurethane bush for ease of fitting.

4. Push the polyurethane bush into the metal outer shell.

5. Apply some of the supplied grease into the bore of the polyurethane bush and press in the stainless steel sleeve until it sits flush.

6. Place the washer on the end face of the bush and push in the zinc plated outer sleeve into the bore.

Tip: Press the outer sleeves in parallel to each other (Figure 3).

7. Re-fit the arm to the vehicle and tension all hardware to manufacturers recommended torque settings.

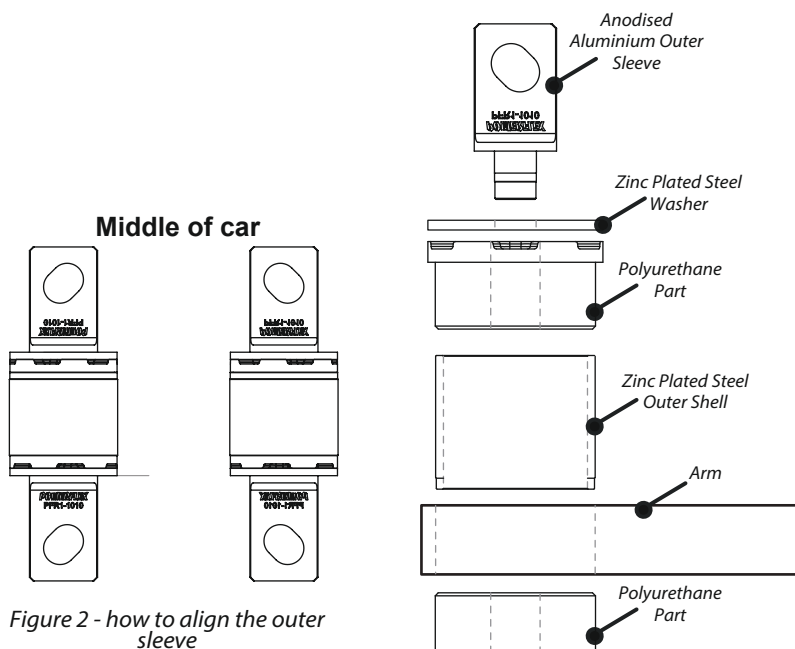


Figure 2 - how to align the outer sleeve

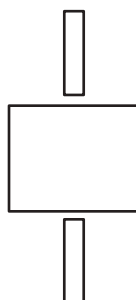


Figure 3

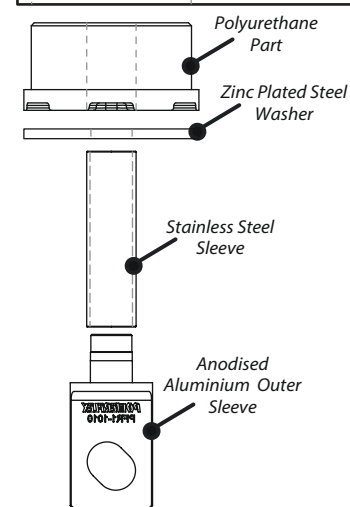


Figure 1 - how the parts fit into the trailing arm