

POWERFLEX®

PART NUMBER

PFR16-710

DESCRIPTION

REAR BEAM MOUNTING BUSH

INSTALLATION GUIDE

Contents (parts per pack):

2 x Polyurethane Bushes 1 x Grease
2 x Stainless Steel Sleeves

Please read the complete fitting instructions and check package components before fitment. These fitting instructions are to be used as a guide and in conjunction with workshop manual.

It is recommended that:

- all work to be carried out by a licensed technician;*
- all safety precautions adhered to;*
- wheel alignment to be checked and adjusted as required after any suspension work.*
- All fasteners must be tensioned to manufacturer's torque settings.*

Fitting Instructions:

1. Remove the original bush from the rear beam mount.
2. Clean any dirt and corrosion from the bore in the arm. Remove any sharp edges from the bore of the rear beam mount.
3. Insert bushes into arm with larger diameter lip face facing towards centre of car.
4. Apply grease into bore of the bushes.
5. Fit sleeve into bush.
6. Refit rear beam mount and Tension all hardware to manufacturers recommended torque settings.

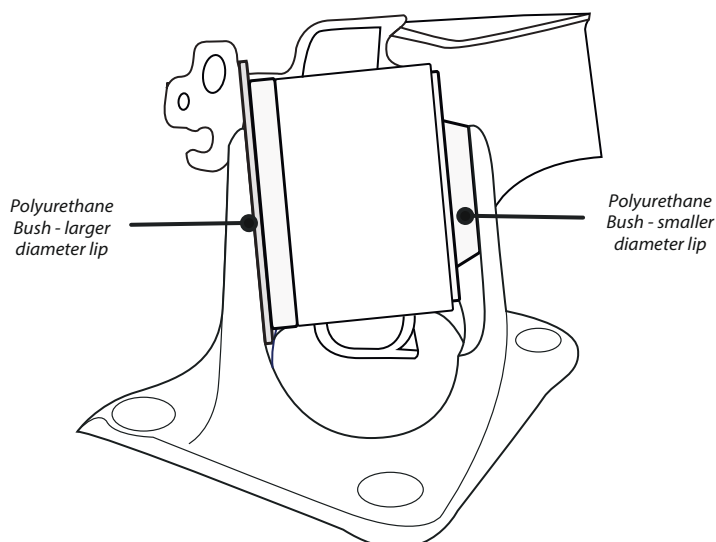


Figure 1 - diagram showing how the bush will fit inside the rear beam mount