

POWERFLEX®

PART NUMBER
PFR5-416

DESCRIPTION
REAR SHOCK ABSORBER UPPER MOUNTING BUSH

INSTALLATION GUIDE

Contents (parts per pack):

2 x Polyurethane A Bushes 1 x PTFE/Silicone Grease
2 x Polyurethane B Bushes 2 x Stainless Steel Sleeves

Please read the complete fitting instructions and check package components before fitment. These fitting instructions are to be used as a guide and in conjunction with workshop manual.

It is recommended that:

- all work to be carried out by a licensed technician;
- all safety precautions adhered to;
- wheel alignment to be checked and adjusted as required after any suspension work.
- All fasteners must be tensioned to manufacturer's torque settings.

Fitting Instructions:

1. Remove interior trim panel from luggage compartment to gain access to top of shock absorber.
2. Loosen the shock nut to allow the nut and upper half of the bush to be removed.
3. From the wheel arch, compress the shock absorber and move it aside to provide access to lower half. Ensure bump stop and cupped washer stay on the shock absorber so they are not lost.
4. Remove lower half of the bush, and the rubber sealing grommet from the shock absorber mounting hole.
5. Ensure mounting hole bore is clean and free of corrosion, and any sharp edges are removed.
6. Remove the nut and washer from the Beige-coloured rubber bush.
7. Remove the Beige-coloured rubber bush from the sealing grommet.
8. Insert Powerflex Part A into the rubber sealing grommet, and insert this into the mounting hole from the wheel arch
9. Apply some of the supplied grease to the stainless-steel sleeve, and insert it into Part A so that the sleeve end sits flush with the bottom face of Part A. Note: the PowerFlex Part A may need to be held in place whilst the sleeve is fitted.
10. Compress the shock absorber again, and move it back so that the top can slide up through the sleeve.
11. From the interior of the car, slide the PowerFlex Part B down over the top of the bare end of the sleeve, replace original washer and nut, and tighten to manufacturer's spec.

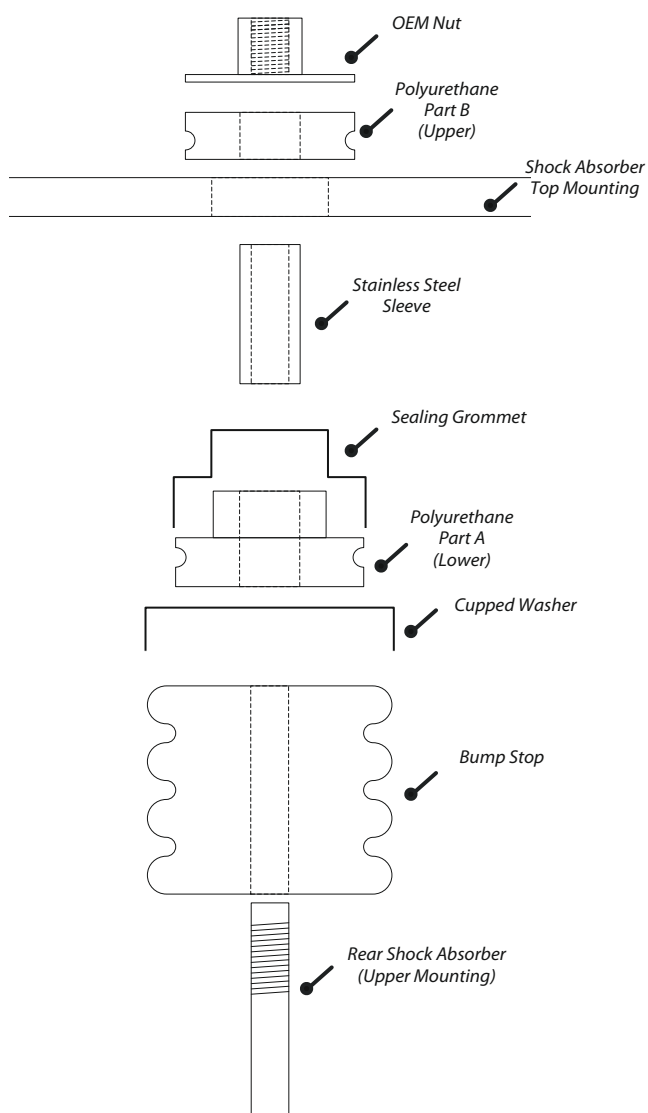


Figure 1