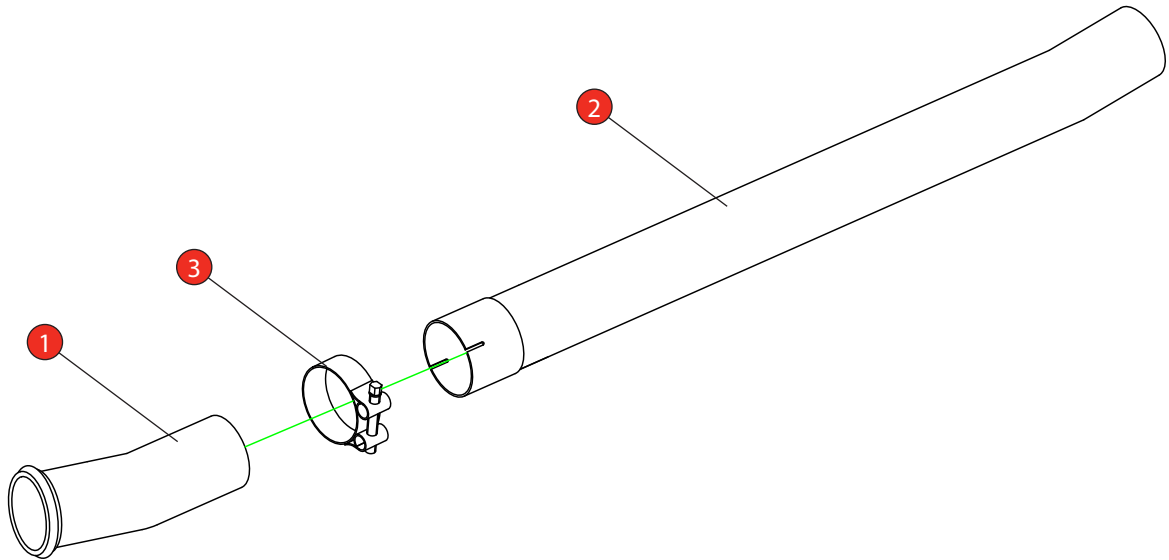


Car	Mini Cooper S F56 GPF	Part No.	SMNSP022
Year	2019-Current	Fit Kits	006FK
Notes	Where not supplied use original fittings. Only fits to SMN022	Features	Pipe Diameter:- 76mm

Estimated Fitting Time: 60 Minutes



NO.	PART NO.	DESCRIPTION	QTY
1	795BM	Front Adaptor	1
2	797BM	Non -resonated GPF Delete	1
Fit Kit			
3	Z016.10062	79mm H/D Clamp	1

E-MARK	N/A
DATE	15/10/20
ISSUE	00
AUTHORISED	M.Ydlibi

NOTE: ENSURE SCORPION SYSTEM IS CLEAR OF MOVING PARTS AND ALL ORIGINAL FUNCTIONS WORK CORRECTLY.



STAY CONNECTED TO RED POWER.