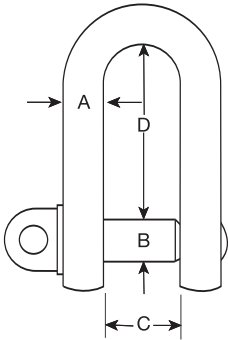




**DELPHINI LTD**

LIFTING, SECURING & SAFETY EQUIPMENT

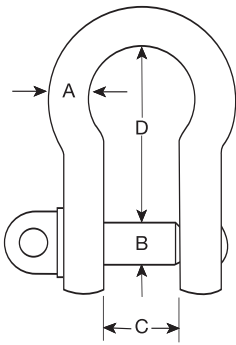




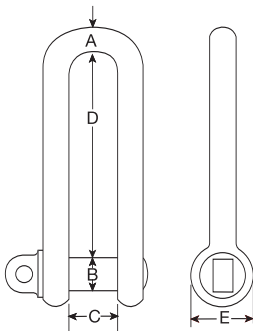
## Galvanised Commercial Dee Shackles (Untested)

A mm	B mm	C mm	D mm	Weight Kgs per 100 PCS
5	5	10	19	1.9
6	6	13	25	3.4
8	8	16	32	7
10	10	19	38	13
11	11	22	44	17.5
12	12	25	51	24
12	16	28	56	40
16	16	32	64	50
16	19	32	64	65
19	19	38	76	80
19	22	38	76	100
22	22	44	89	130
22	25	43	89	170
25	25	51	100	200
25	28	49	100	240

## Galvanised Commercial Bow Shackles (Untested)

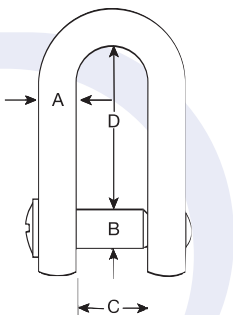


A mm	B mm	C mm	D mm	Weight Kgs per 100 PCS
5	5	10	19	1.9
6	6	13	25	3.4
8	8	16	32	7
10	10	19	38	13
11	11	22	46	19
12	12	25	51	26
12	16	27	60	39
16	16	32	64	50
16	19	33	70	70
19	19	38	76	80
19	22	38	80	110
22	22	44	89	130
22	25	43	95	170
25	25	51	100	200



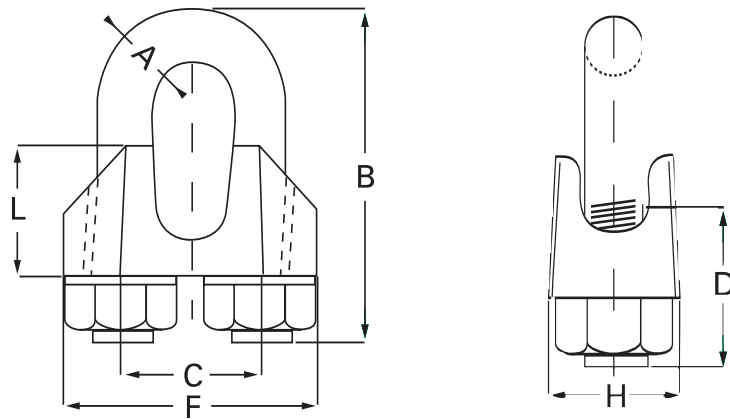
## Self Colour Long Dee 'Piling' Shackles c/w Screw Collar Pin Tested & Certified

S.W.L. Tons	A Inches	B Inches	C Inches	D Inches	E Inches	Weight Kgs/each
1.00	1/2	5/8	7/8	6	1 1/4	0.55
1.50	5/8	3/4	1 1/4	8	1 1/2	0.95
2.00	3/4	7/8	1 1/2	8	1 3/4	1.64
3.00	7/8	1	1 3/4	10	2	2.29
3.75	1	1 1/8	2	10	2 1/4	3.40
5.00	1 1/8	1 1/4	2 1/8	12	2 1/2	5.05



## Galvanised Commercial Dee Shackles c/w Countersunk Pin (Untested)

A mm	B mm	C mm	D mm	Weight per 100 PCS
10	10	19	38	13
11	11	22	44	17.5
12	12	25	51	24
16	16	32	64	50

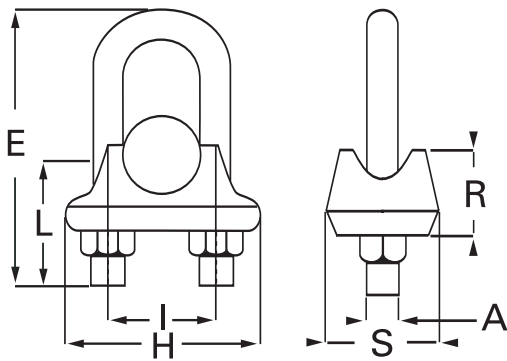


## Galvanised Wire Rope Grips meet the performance requirements of DIN 1142 & EN 13411 Pt5 Type A

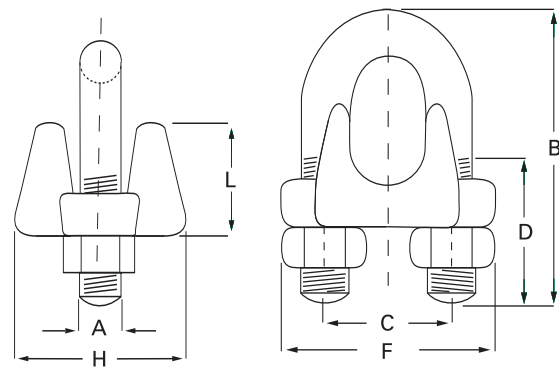
Rope Dia mm	A mm	B mm	C mm	D mm	F mm	H mm	L mm	Weight Kgs/100
5	5	25	12	13	25	13	13	2.1
6.5	6	32	14	17	30	16	14	4
8	8	41	18	20	39	20	18	8.2
10	8	46	20	24	40	20	21	9.2
12	10	56	24	28	50	24	25	25
13	12	64	27	30	55	28	29	27.5
14	12	66	28	31	59	28	30	35
16	14	76	32	35	64	32	35	43
19	14	83	36	36	68	32	40	49
22	16	96	40	40	74	34	44	68
26	20	111	46	50	84	38	51	117
30	20	127	54	55	95	41	59	140
34	22	141	60	60	105	45	67	213
40	24	159	68	65	117	49	77	268

## Galvanised Wire Rope Grips (without grooves)

Rope Dia mm	A mm	B mm	C mm	D mm	F mm	H mm	L mm	Weight Kgs/100
3	4	20	9	12	21	10	10	1.4
5	5	24	11	13	23	11	10	1.5
6.5	5	28	13	15	26	12	11	2.1
8	6	34	16	19	30	14	15	4.1
10	8	42	19	22	34	18	17	6.8
13	10	55	24	30	42	23	21	11.0
16	12	63	29	33	50	26	26	21.0
19	12	75	32	38	54	29	30	28.0
22	14	85	37	44	61	33	34	40.0
26	14	95	41	45	65	35	37	44.0
30	16	110	48	50	74	37	43	60.0
34	16	120	52	55	80	42	50	85.0
40	16	140	58	60	88	45	55	104.0



*Commercial 'Robur' Grips*



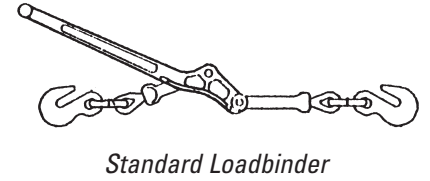
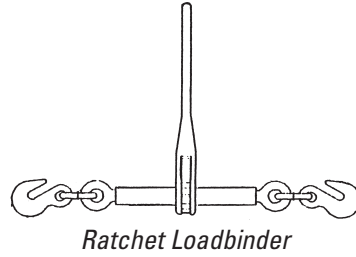
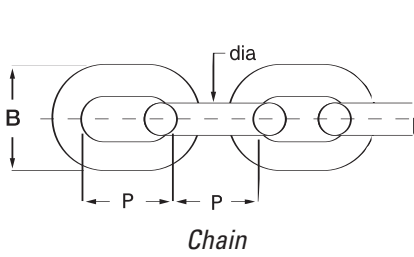
*U.S. Fed Spec Wire Rope Grips*

**Galvanised Commercial Wire Rope Grips (Robur Pattern)**

Dia mm	A mm	L mm	H mm	I mm	E mm	R mm	S mm	Weight Kgs/100
3	4	12	17	9	20	7	10	0.7
5	5	13	24	12	24	9	15	1.8
6	6	15	27	15	28	10	16	2.5
8	6	19	31	17	34	11	19	3.2
10	8	22	37	20	42	14	22	6.5
11	8	22	41	22	44	15	24	8
13	10	33	44	25	55	17	26	12
14	10	33	47	27	57	18	27	14
16	10	33	51	29	63	20	28	17.5
20	12	44	62	35	77	22	33	28
22	12	44	65	39	85	25	35	32
26	14	50	72	42	95	27	40	45
30	14	50	78	48	110	33	43	61
34	16	55	88	54	120	37	48	87
40	16	60	98	60	140	40	54	113

**Galvanised Drop Forged Wire Rope Grips meet the performance requirements of US Fed. Spec. FF-C-450 & EN 13411 Pt5 Type B**

Rope Dia inches	A mm	B mm	C mm	D mm	F mm	H mm	L mm	Weight Kgs/100
1/4	8	34	19	13	37	30	17	8
5/16	10	45	22	19	43	33	18	14
3/8	11	49	26	19	49	42	25	19
1/2	13	61	30	26	58	48	27	34
5/8	16	74	33	32	64	52	33	45
3/4	14	86	38	37	72	57	37	68
7/8	19	98	45	40	80	62	40	108
1	19	108	48	46	88	67	44	113
1 1/8	19	117	51	51	91	72	48	140
1 1/4	22	130	59	54	105	79	56	207
1 3/8	22	140	60	59	108	79	58	234
1 1/2	22	147	66	60	112	86	64	266
1 3/4	29	175	78	74	134	97	78	441
2	32	195	86	78	152	113	87	603
2 1/4	32	208	98	81	162	116	100	707
2 1/2	32	227	105	87	168	119	113	806
2 3/4	32	243	112	91	174	127	124	1,000
3	38	271	121	104	194	135	136	1,440



## Drop Forged Standard Loadbinders

Chain Size mm	Handle Length mm	Take-up mm	Breaking Load/Kgs	Weight Kgs/each
8-10	406	114	8,600	2.81
10-13	470	114	15,000	5.08

## Ratchet Type Loadbinders

Chain Size mm	Handle Length mm	Barrel Length mm	Take-up mm	Breaking Load/Kgs	Weight Kgs/each
8-10	355	254	203	8,710	4.82
10-13	355	254	203	15,130	5.92
13-16	390	254	228	20,800	7.50

## Ratchet Type Loadbinders-EN1295 pt 3 (complete with reinforced hooks & special safety devices)

Chain Size mm	Handle Length mm	Barrel Length mm	Take-up mm	Lashing Capacity tons	M.B.L. tons
8	355	252	169	4	8
10	355	252	169	6.3	12.6
13	355	252	163	10	21.2
16	355	252	159	16	32.2

## Self-Colour Chain Tested & Certified (compatible with GT Loadbinders)

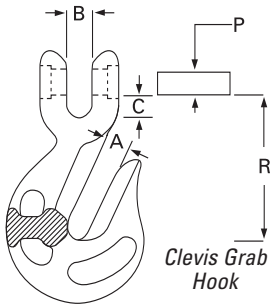
Diameter mm	P mm	B mm	WLL Kgs	Weight Kgs/mtr
9.5	33	33	1400	1.85
12	36	40	2400	3.25
16	48	54	3625	6.10

## Grade 8 Chain (suitable for loadbinding use as per EN-12195)

Diameter mm	P mm	B mm	WLL Kgs	Weight Kgs/mtr
8	24	10.8	2000	1.4
10	30	14	3150	2.2
13	39	17.5	5300	3.8
16	48	21.5	8000	5.7

## Grade 8o Chain Tested & Certified (compatible with GT loadbinders)

Diameter mm	P mm	B mm	WLL Kgs	Weight Kgs/mtr
8	24	10.8	2000	1.85
10	30	14	3150	2.2
13	39	17.5	5300	3.8
16	48	21.5	8000	5.7

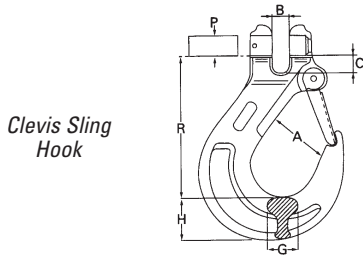


Clevis Grab Hook

**Grade 8 Clevis Grab Hooks**

(suitable for loadbinding use as per EN-12195)

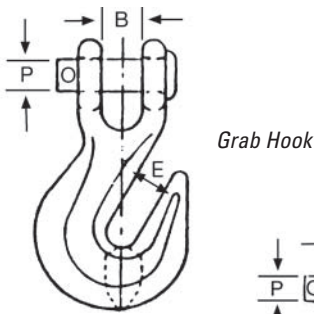
Chain Dia mm	Part No.	R mm	A mm	B mm	C mm	P mm	Weight Kgs/each
7/8	WA-90	50	10	9	10	9	0.27
10	WA-91	72	13	13	14	13	0.75
13	WA-92	88	17	17	17	16	1.35
16	WA-93	102	20	21	20	21	2.30



Clevis Sling Hook

**Grade 80 Painted Clevis Sling Hook c/w Catch**

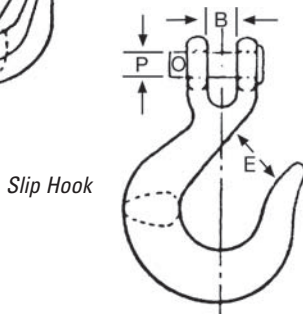
Chain Dia mm	A mm	H mm	R mm	P mm	Weight Kgs/each
7/8	25	32.5	9.5	85	0.5
10	31.5	35	13	104	0.9
13	35	42	16.5	128	1.7



Grab Hook

**Electro Galvanised Alloy Steel Clevis Grab Hook - Untested**

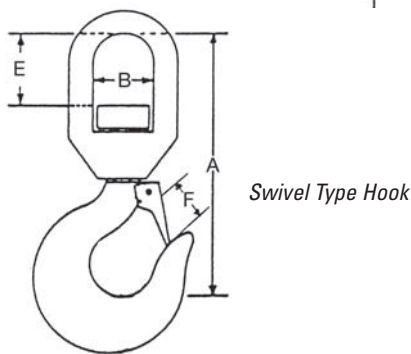
Chain Dia	B mm	E mm	P mm
10	13.5	13	11
13	19	15.5	16
16	23	29.8	19



Slip Hook

**Electro Galvanised Alloy Steel Clevis Slip Hook - Untested**

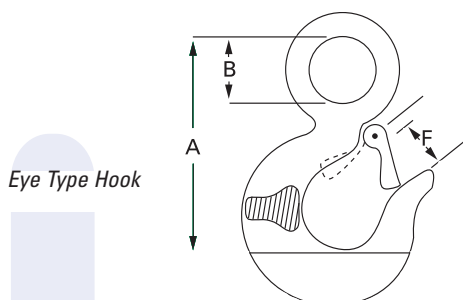
Chain Dia	B mm	E mm	P mm
10	13.5	33	11.5
13	19	40	16



Swivel Type Hook

**Painted Alloy Swivel Type Hooks c/w Safety Catch - Tested & Certified**

S.W.L. Metric Tons	A mm	B mm	E mm	F mm	Weight Kgs/each
1	113	30	25	20	0.4
1.5	134	33	35	24	0.7
2	150	40	42	26	1.1
3	160	40	42	28	1.3
4.5	188	47	47	35	2.3
7	240	56	60	44	4.8
11	280	62	62	51	7.5



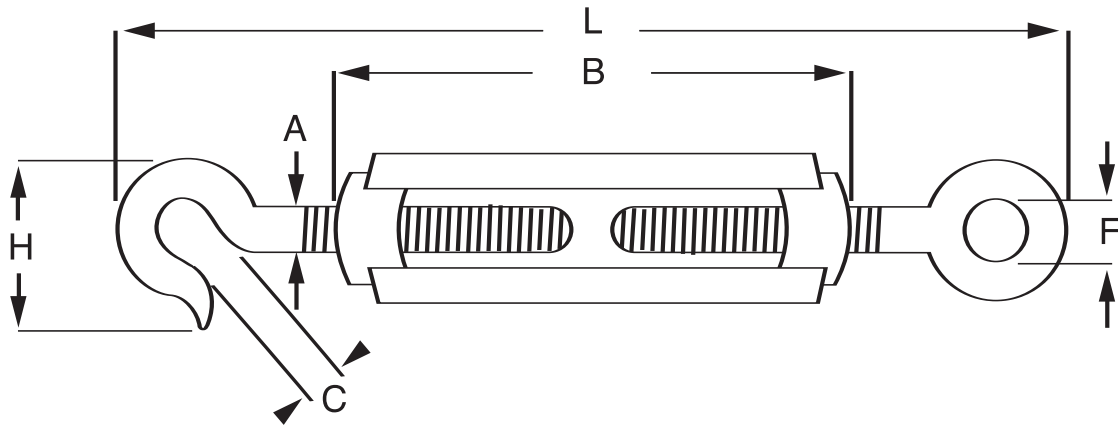
Eye Type Hook

**Painted Alloy Eye Type Hooks c/w Safety Catch - Tested & Certified**

S.W.L. Metric Tons	A mm	B mm	F mm	Weight Kgs/each
1	81	19	22	0.25
1.5	93	23	24	0.43
2	104	28	25	0.67
3	119	31	28	0.87
4.5	146	39	34	1.85
7	187	51	43	4.05
11	230	62	52	6.87
15	255	72	57	9.93
22	317	89	76	16.83

We also stock a range of carbon steel Eye Hooks c/w Heavy Catch - from 0.8 tons to 7.5 tons S.W.L.





*Galvanised Drop Forged Open Body Straining Screws*

## Hook and Eye - Untested

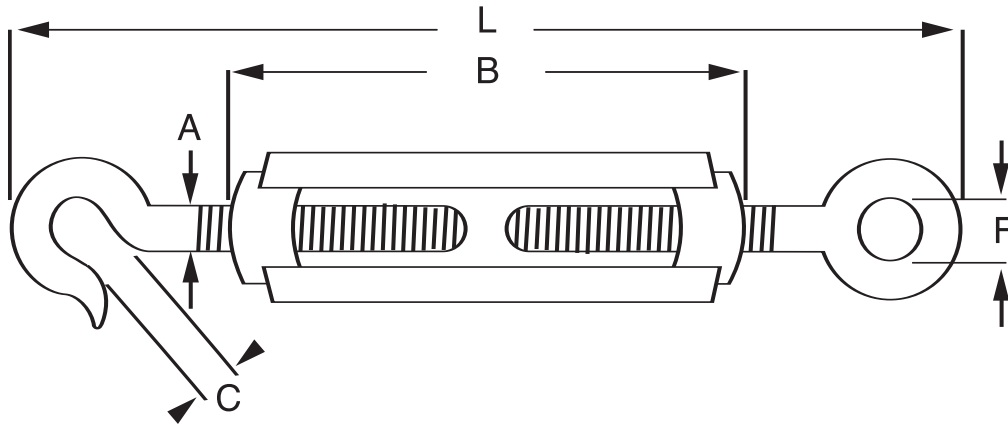
Dia A mm	B mm	C mm	F mm	H mm	L - Min mm	L - Max mm	Weight Kgs/100
6	80	7.5	11	22	132	195	6
8	105	9	12	30	168	249	11
10	125	12	13	36	212	304	21
12	140	15	15	48	245	343	36
16	190	16.5	25	58	322	467	88
20	220	23	28	82	398	562	177
22	240	27	34	97	444	622	255
24	260	30	36	109	488	680	345

## Eye and Eye - Untested

Dia A mm	B mm	F mm	L - Min mm	L - Max mm	Weight Kgs/100
6	80	11	128	191	6
8	105	12	159	240	10.5
10	125	13	197	289	19.5
12	140	15	222	320	33
16	190	25	306	451	83
20	220	28	358	522	155
24	260	36	436	628	280

## Hook and Hook - Untested

Dia A mm	B mm	C mm	H mm	L - Min mm	L - Max mm	Weight Kgs/100
6	80	7.5	22	135	198	6
8	105	9	30	176	257	11.5
10	125	13	35	227	319	22
12	140	15	48	267	365	38
16	190	16.5	58	337	482	95
20	220	23	82	437	601	200
24	260	30	109	540	732	410



*Galvanised Commercial Quality Straining Screws*

**Galvanised Commercial Pattern Open Body Straining Screws  
 (generally to Din 1480) Hook and Eye - Untested**

Dia A mm	B mm	C mm	F mm	L - Min mm	L - Max mm	Weight Kgs/100
6	110	8	9	172	258	11
8	110	10.5	10	184	264	20
10	125	13	14	222	311	28
12	125	16	16	241	324	43
16	170	20	22	311	427	100
20	200	21	24	358	490	160
24	255	26	27	453	630	280

**Galvanised Commercial Pattern Open Body Straining Screws  
 (generally to Din 1480) Eye and Eye - Untested**

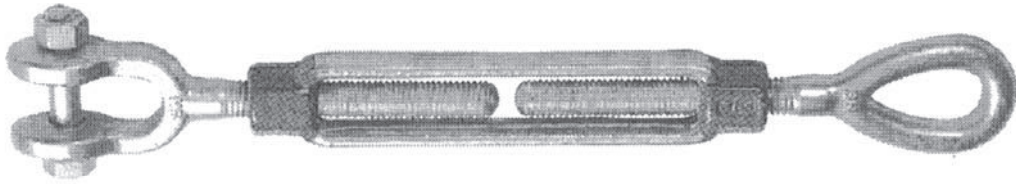
Dia A mm	B mm	F mm	L - Min mm	L - Max mm	Weight Kgs/100
6	110	9	160	246	11
8	110	10	168	248	20
10	125	14	210	300	28
12	125	16	222	305	43
16	170	22	300	416	100
20	200	24	334	466	160
24	255	27	410	587	280

**Galvanised Commercial Pattern Open Body Straining Screws  
 (generally to Din 1480) Hook and Hook - Untested**

Dia A mm	B mm	C mm	L - Min mm	L - Max mm	Weight Kgs/100
6	110	8	184	270	11.0
8	110	10.5	200	280	20.0
10	125	13	234	323	28.0
12	125	16	260	343	43
16	170	20	322	438	100
20	200	21	382	514	160
24	255	26	496	673	280



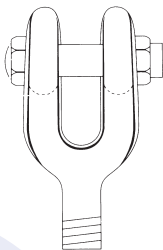




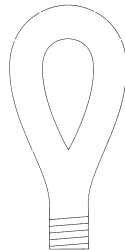
**Hot Dip Galvanised Turnbuckles meet the performance requirements of US Fed FFT-791& ASTM F1145-92 Tested & Certified**

Dia Thread inch	Take-up inch	WLL tons	Dia Thread inch	Take-up inch	WLL tons	
3/8	6	0.54	1	6	4.54	
	6	1.00		12	4.54	
1/2	9	1.00		18	4.54	
	12	1.00		24	4.54	
5/8	6	1.59		1 1/4	12	6.90
	9	1.59			18	6.90
	12	1.59	24		6.90	
3/4	6	2.36	1 1/2	12	9.71	
	9	2.36		18	9.71	
	12	2.36		24	9.71	
	18	2.36		18	12.7	
7/8	12	3.27	1 3/4	24	12.7	
	18	3.27		2	24	16.78
				2 1/2	24	27.22
			2 3/4	24	34.02	

**NOTE:- ALL TURNBUCKLES ARE SUPPLIED WITH LOCKNUTS AS STANDARD  
OTHER COMBINATIONS AVAILABLE, e.g. HOOK/HOOK & JAW/EYE, PRICES ON REQUEST**



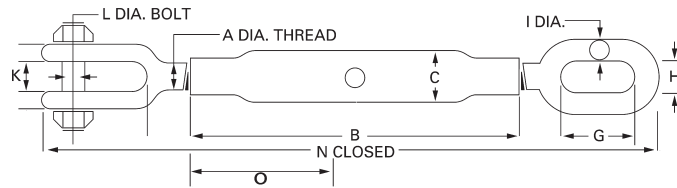
JAW



EYE



HOOK



## Galvanised Rigging Screws Jaw/Jaw - Tested & Certified

Size A inches	B mm	K mm	L mm	N mm	Thread length Omm	WLL Tonnes	Weight Kgs/each
6mm (1/4)	100	7	5	184	54	0.20	0.16
8mm (5/16)	108	9	6	212	59	0.32	0.27
10mm (3/8)	125	10.5	8	240	68	0.50	0.37
12mm (1/2)	195	13	10	338	106	0.70	0.82
16mm (5/8)	230	18	12	414	122	1.20	1.52
20mm (3/4)	270	20	16	486	145	1.50	2.60
22mm (7/8)	295	25	20	536	165	2.20	3.00
24mm (1)	325	30	22	596	180	3.20	5.40
33mm (1 1/4)	370	38	25	756	220	4.80	12.00
39mm (1 1/2)	400	45	32	800	235	6.00	13.50

## Galvanised Rigging Screws Eye/Eye - Tested & Certified

Size A inches	B mm	G mm	H mm	N mm	Thread length Omm	WLL Tonnes	Weight Kgs/each
6mm (1/4)	100	11	11	168	54	0.20	0.14
8mm (5/16)	108	12	12	182	59	0.32	0.20
10mm (3/8)	125	13	13	216	68	0.50	0.39
12mm (1/2)	195	30	15	336	106	0.70	0.66
16mm (5/8)	230	40	20	392	122	1.20	1.17
20mm (3/4)	270	50	24	474	145	1.50	1.71
22mm (7/8)	295	50	24	514	165	2.20	2.77
24mm (1)	325	56	28	568	180	3.20	3.03
33mm (1 1/4)	370	70	35	700	220	4.80	7.50
39mm (1 1/2)	400	80	40	770	235	6.00	12.50

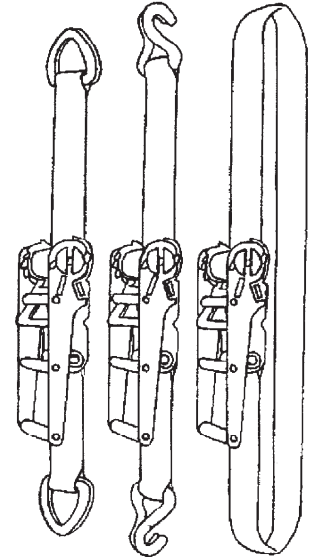
## Galvanised Rigging Screws Jaw/Eye - Tested & Certified

Size A inches	B mm	G mm	H mm	N mm	Thread length Omm	WLL Tonnes	Weight Kgs/each
6mm (1/4)	100	11	11	176	54	0.20	0.14
8mm (5/16)	108	12	12	197	59	0.32	0.23
10mm (3/8)	125	13	13	228	68	0.50	0.38
12mm (1/2)	195	30	15	336	106	0.70	0.55
16mm (5/8)	230	40	20	403	122	1.20	1.55
20mm (3/4)	270	50	24	480	145	1.50	2.10
22mm (7/8)	295	50	24	520	165	2.20	3.00
24mm (1)	325	56	28	582	180	3.20	4.02
33mm (1 1/4)	370	70	35	728	220	4.80	8.90
39mm (1 1/2)	400	80	40	785	235	6.00	13.50

## Ratchet Lashing Assemblies, generally to EN12195 pt2 c/w Claw Hooks each end

Min Break Strength kgs	Length EWL mts	Rated Assembly Strength LC daN	Webbing Width mm
1000	2	500	25
1000	3	500	25
1000	4	500	25
1000	6	500	25
1000	8	500	25
5000	6	2500	50
5000	8	2500	50
5000	10	2500	50
5000	12	2500	50
5000	14	2500	50
10000	6	5000	75
10000	8	5000	75
10000	10	5000	75
10000	12	5000	75
10000	14	5000	75

**Note:**  
Wear  
Sleeves  
available  
upon  
request.

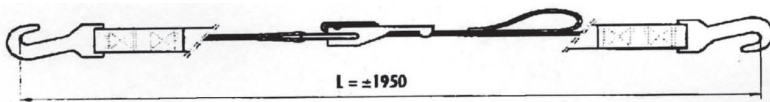


**Larger and Non Standard products are available on request.**

These products are designed to resist wear and tear, efficiently grip loads and are manufactured from polyester. Once tensioned, the straps require only a little, or no further adjustment. The straps, which apply pressure over a broad area, are unlikely to cause damage to either sheet or the load. Polyester webbing is not affected by weather, grease, oils and most chemicals, however, it is recommended to avoid contact with strong alkalis.

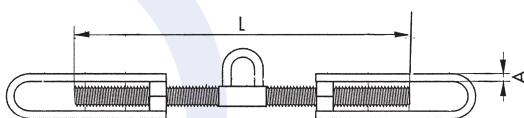
Each ratchet assembly is manufactured to BESEN 12195 Part 2:2001. Commonly used for commercial applications, the 50mm restraint is available as an endless assembly, or with D-Ring, Snap Hook or Claw Hook. The larger widths (50mm & 75mm) can be provided with two chafing sleeves which help to reduce damage and wear to the webbing

## Car Lashing Equipment



Car Lashing Polyester, over centre buckle coated flat hooks each end. Weight 0.5kg MBL 1.5 Tonne

## Hamburgers (for lashing purposes) - Untested

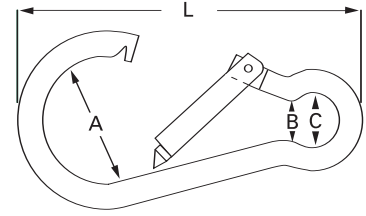


Dia mm	L mm	A mm	M.B.L. Tons	Weight Kgs/each
24	400	16	13	3
28	400	18	18	4.4
30	400	20	20	5



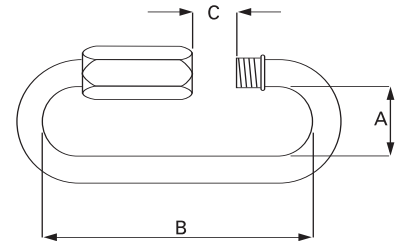
## Electro-Galvanised Carbine Hooks - Untested

Material Dia/mm	L mm	A mm	B mm	C mm	Weight Kgs/100
5	50	16	4	7	1.3
6	60	18	5	8	2.7
7	70	22	8	8	4.4
8	80	24	8	9	6.5
9	90	26	8	9	8.8
10	100	30	10	12	12.7
11	120	36	11	16	18
12	140	40	13	19	26
13	160	44	15	22	32
14	180	48	20	25	35



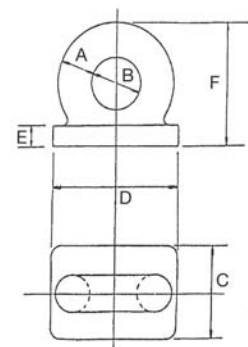
## Electro-Galvanised Quicklinks - Untested

Material Dia/mm	A mm	B mm	C mm	Weight Kgs/100
3.5	10	29	5	1.2
4	11.5	31.5	5.5	2.1
5	13	38	6.5	2.2
6	14	45	7.5	3.6
7	16	52	8	5
8	18	60	10	7.8
9	19	64	11	10
10	20	69	12	13.8
12	25	83	15	20

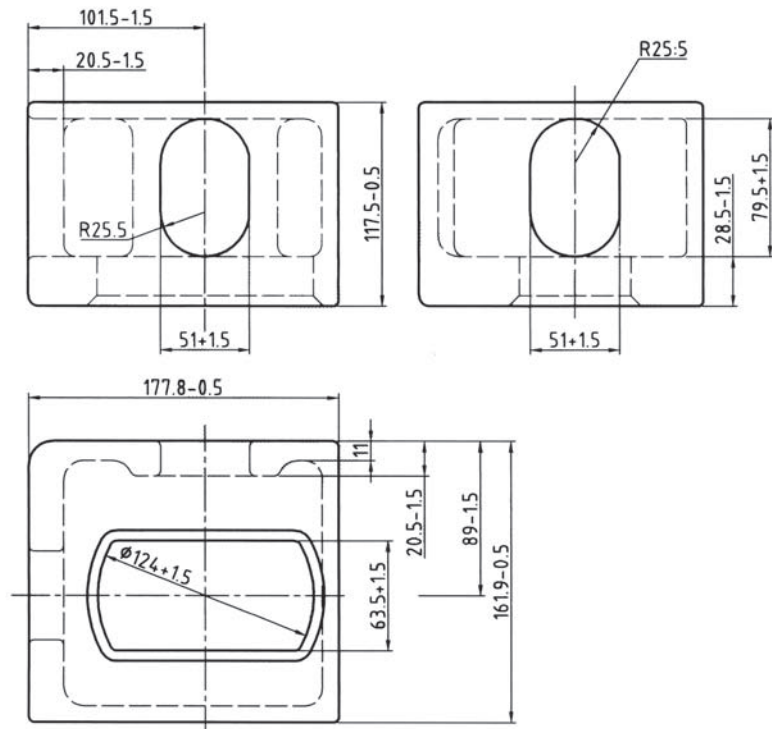


## Rectangular Base Deckplates - Tested

Old AP No	A mm	B mm	C mm	D mm	E mm	F mm	Proof Test Tonnes	Weight Kgs/each
AP4014	10	20	25	45	6	38	2	0.14
AP4015	12.5	25	35	60	8	50	3.5	0.31
AP4016	16	32	45	70	10	64	5.5	0.45
AP4017	19	38	50	85	12	76	7.5	0.79
AP4018	22	44	61	102	12	88	9.6	1.36
AP4019	25	50	70	115	16	100	13	1.82
AP4020	28	56	76	130	18	114	15.75	2.95
AP4021	32	64	85	145	19	128	20	3.86
AP4023	38	76	100	170	22	152	29	6.58
AP4025	44	89	121	200	27	178	38.25	18
AP4027	50	102	137	229	30	203	50	25

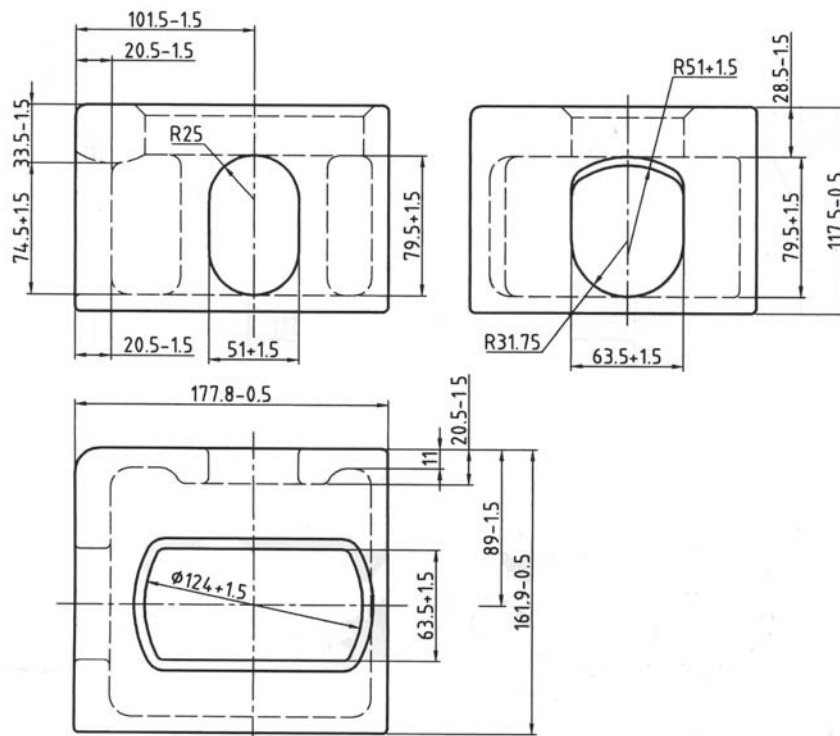


## Bottom



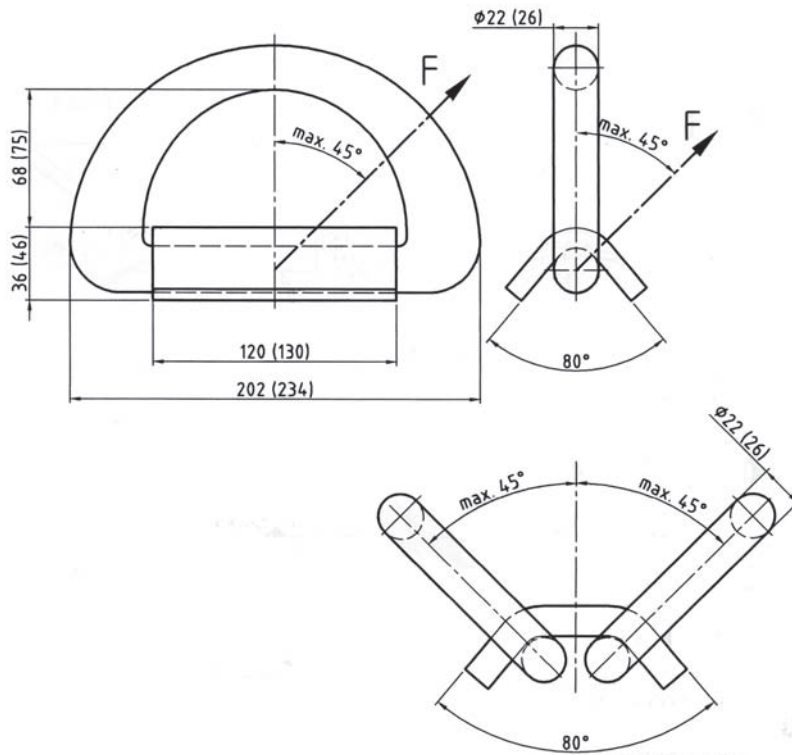
**WEIGHT 10.8KG**

## Top

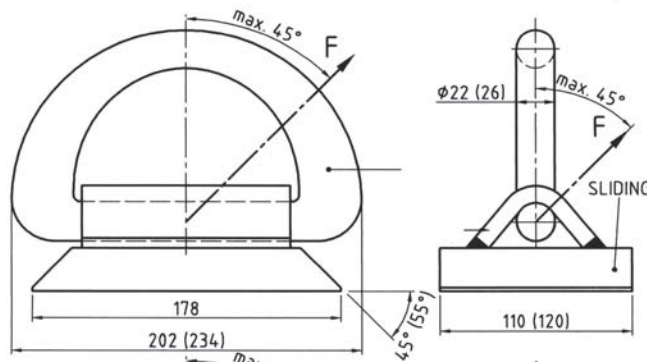


**WEIGHT 10.8KG**

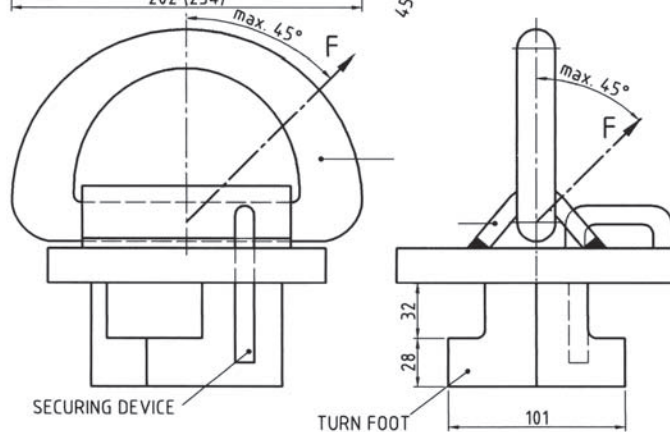
**Weldable**



**Fixed Type**



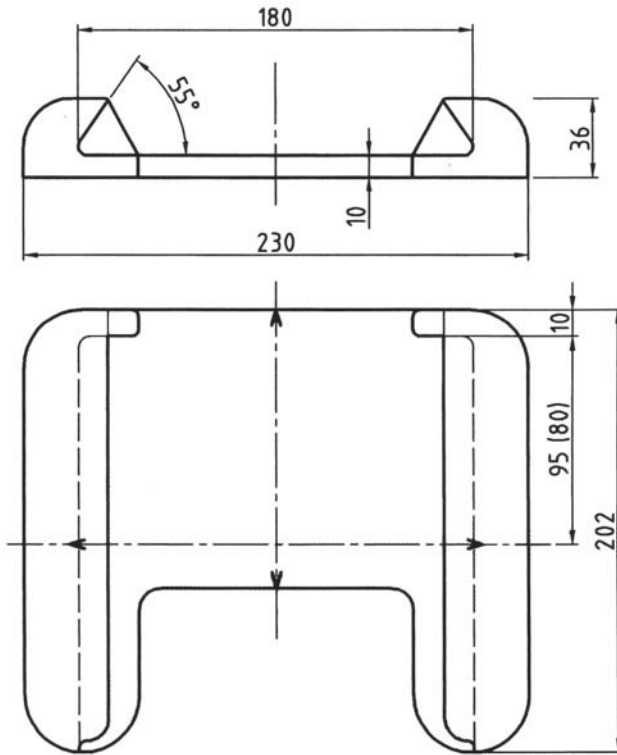
**Dovetail**



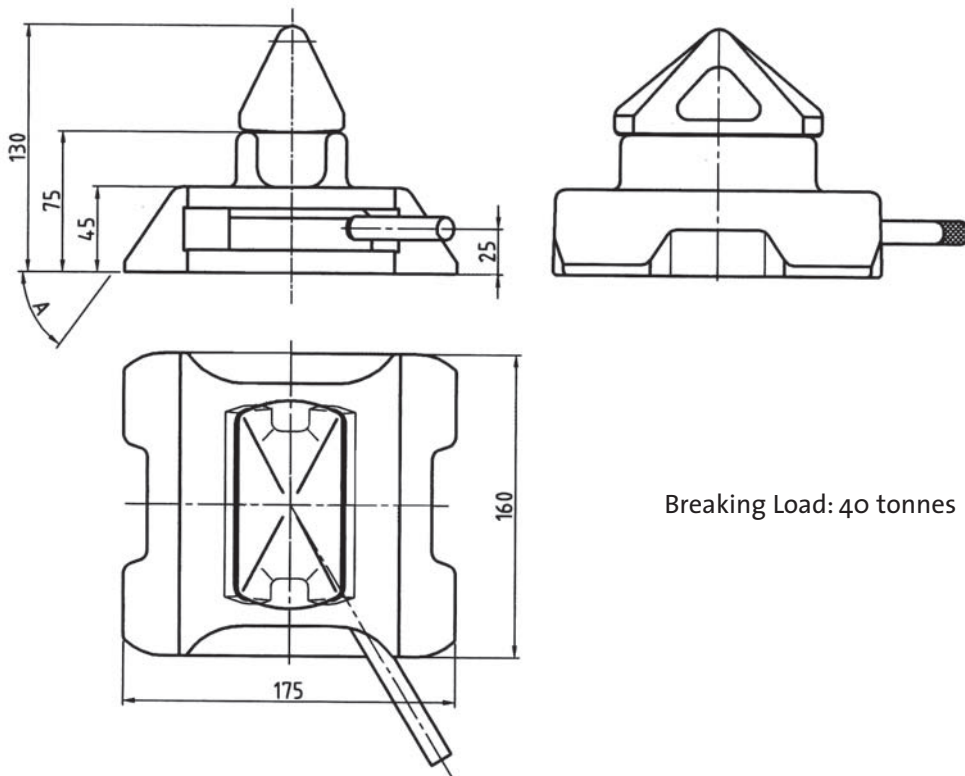
**Turn Foot**

Available in 20 Tonne,  
36 Tonne and 50  
Tonne Breaking Load

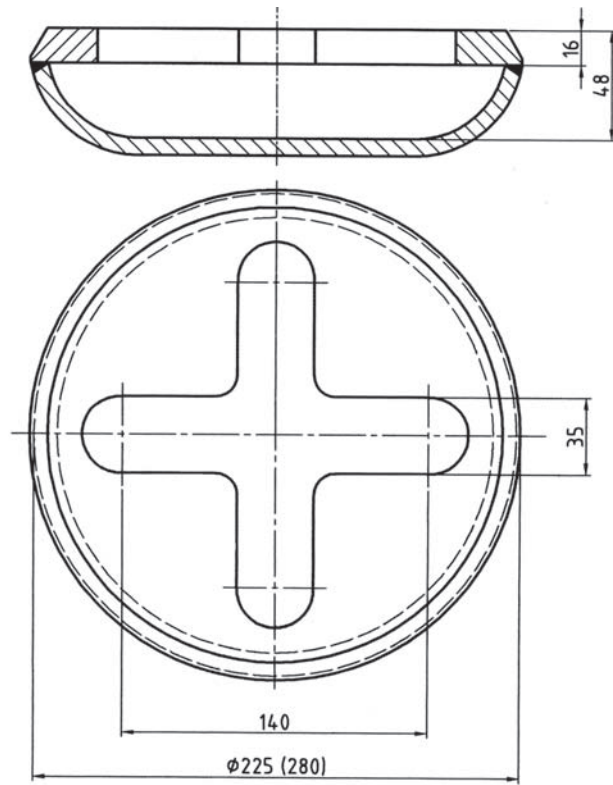




Breaking Load:  
50 Tonnes

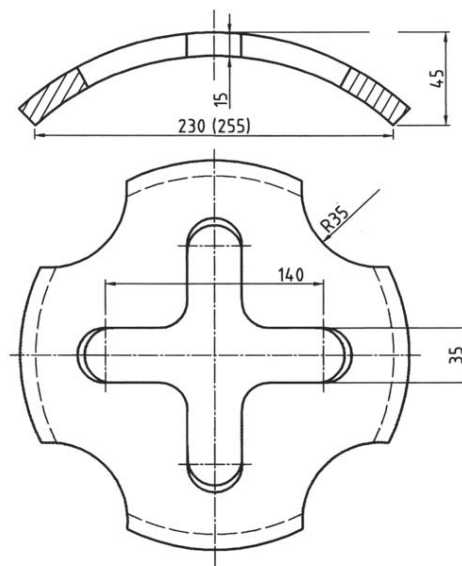


Breaking Load: 40 tonnes

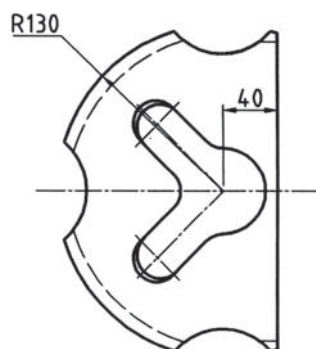


**Flush Type**

Breaking Load:  
25 Tonnes

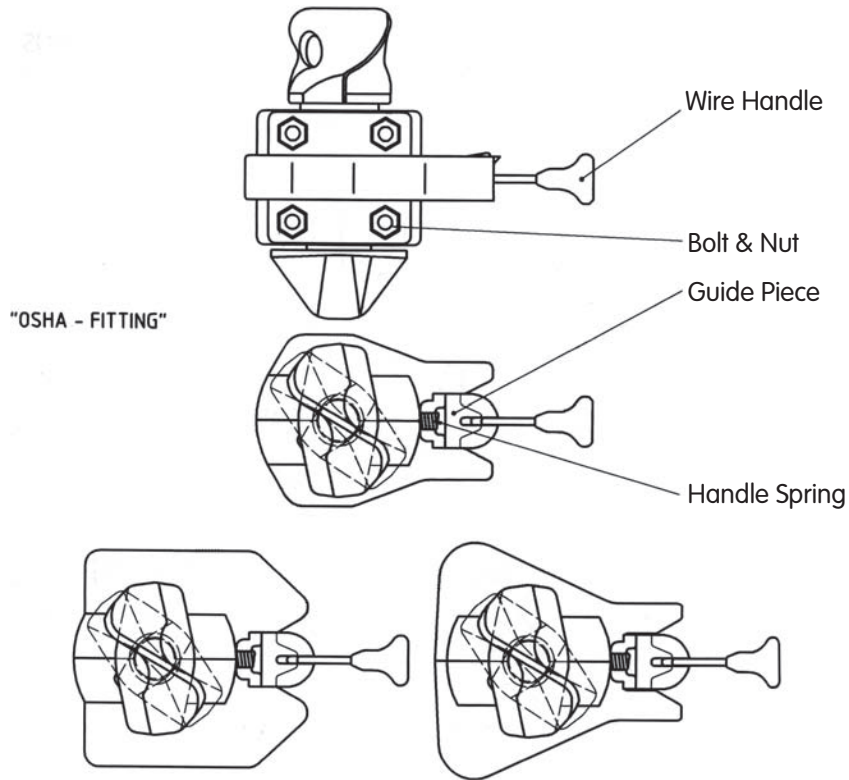


**Raised Type**



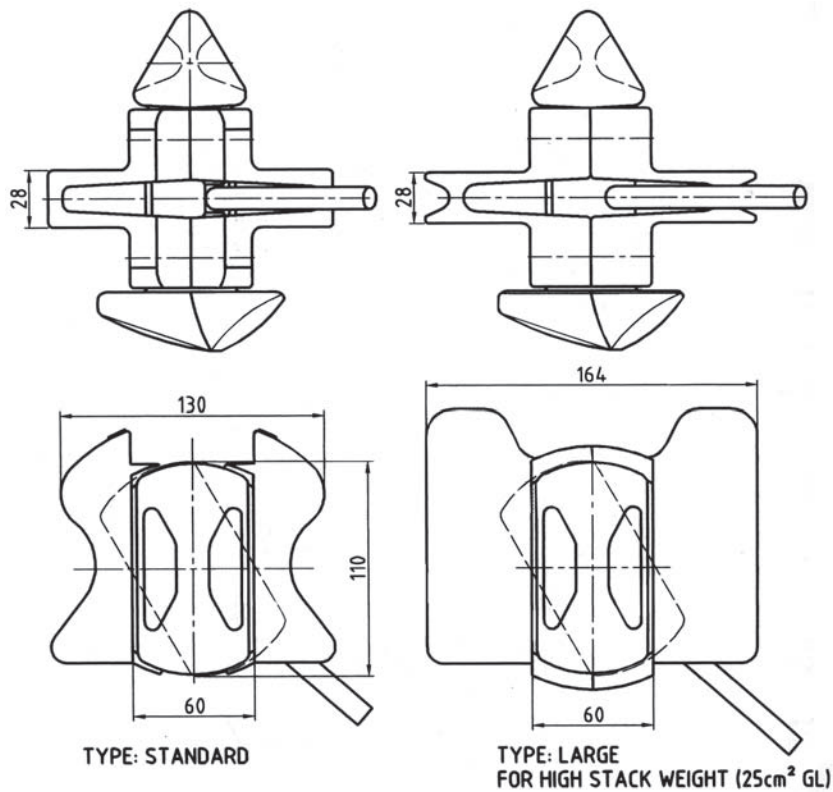
**Bulk Head Type**

## Semi Automatic Twistlock



Breaking Load:  
55 Tonnes

## Standard Stacking Twistlock

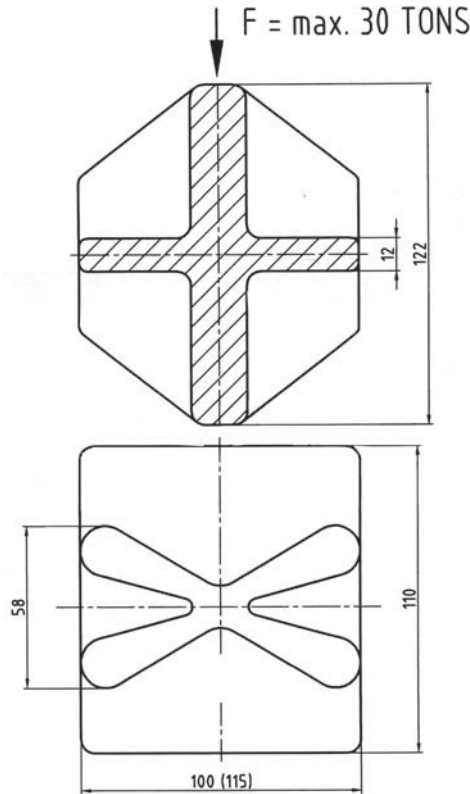


Breaking Load:  
50 Tonnes

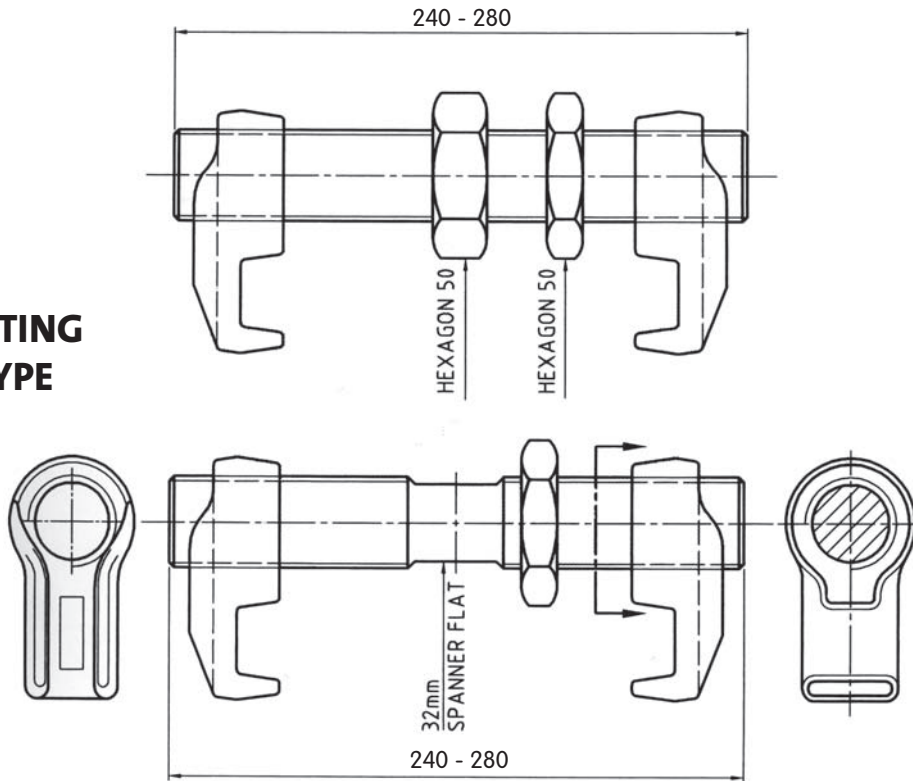


## Single Stacking Cone

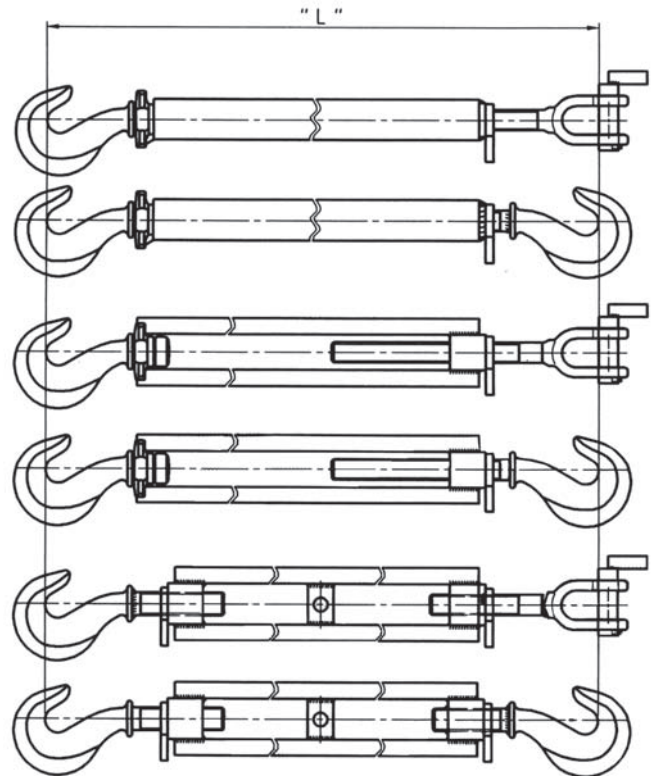
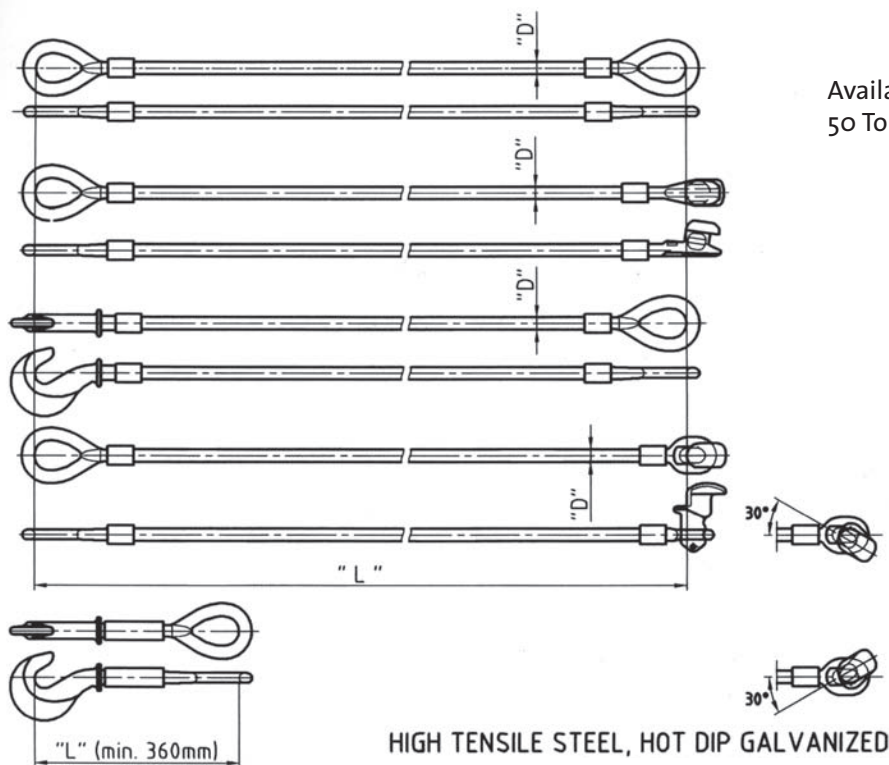
Double transversal type  
available on request



## BRIDGE FITTING TENSION TYPE



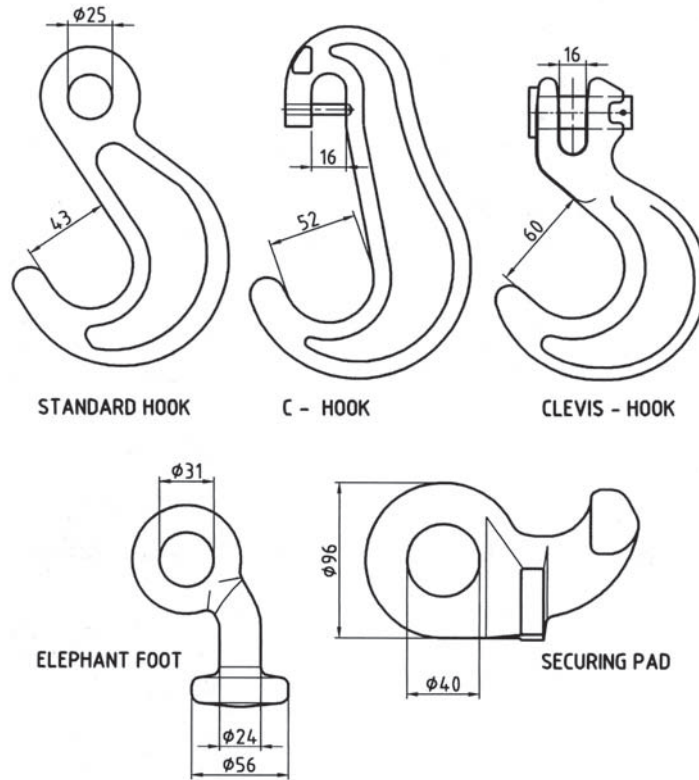
Breaking Load:  
10kN



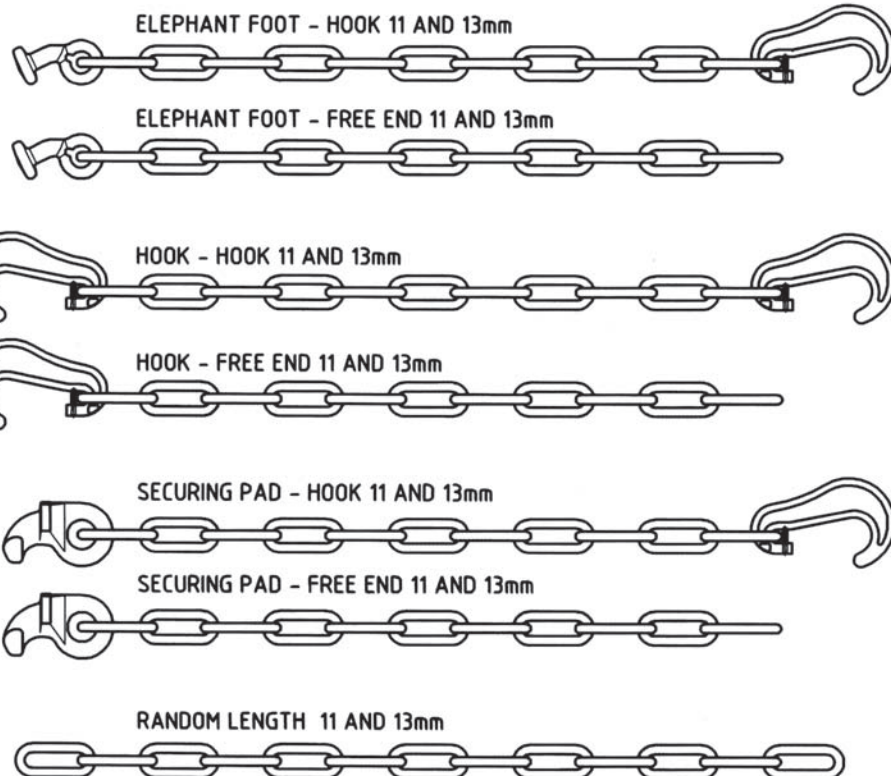
Available in 36 Tonne and 50 Tonne Breaking Load





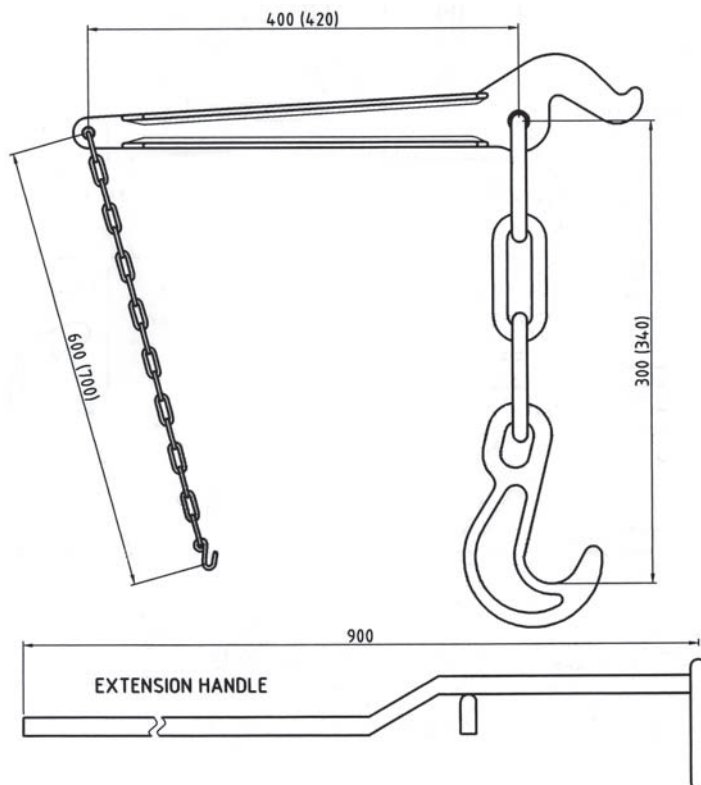
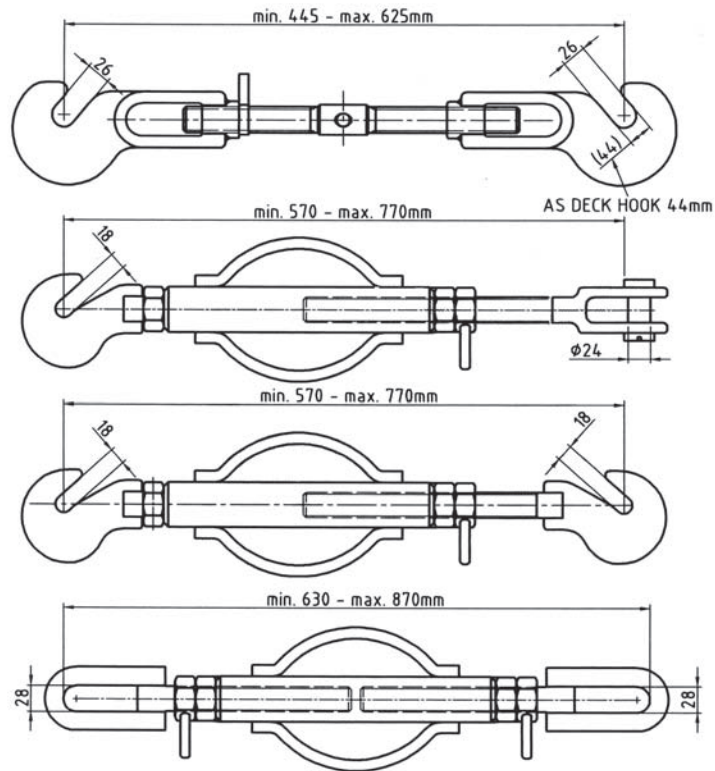


Available in 15 Tonne and 20 Tonne Breaking Load



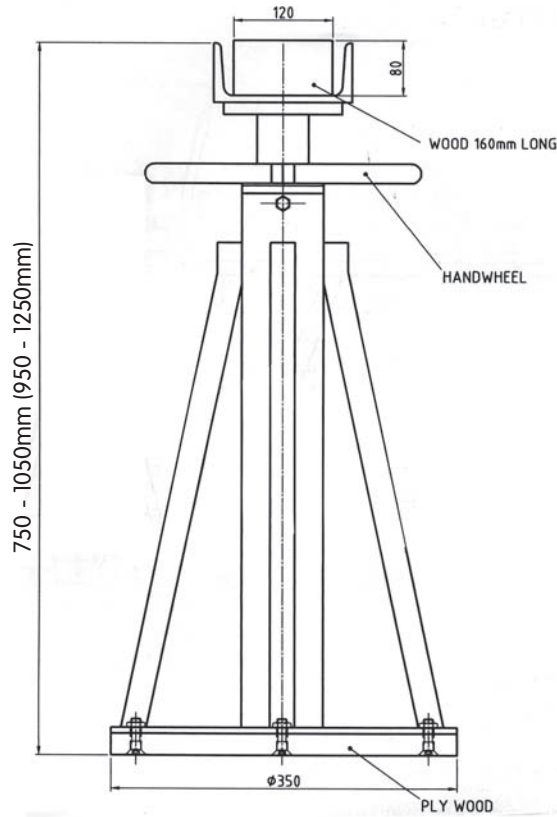
Available in 36 Tonne Breaking Load





Available in 15 Tonne  
and 20 Tonne  
Breaking Load

Breaking Load:  
 40 Tonnes



Breaking Load: 80 Tonnes

