

HEIGHT SAFETY



DELPHINI LTD
LIFTING, SECURING & SAFETY EQUIPMENT



- Site Survey
- Design
- Manufacture
- Installation
- Statutory Inspection & Testing
- Maintenance

BESPOKE SAFETY AT HEIGHT SOLUTIONS

Delphini utilise a wealth of experience in the design, supply and installation of safety at height solutions. Including permanent lifeline systems (horizontal and vertical), ladders, walkways, handrails and safety harness eyebolts.

We offer on-site statutory inspection, testing and maintenance of all types of safety equipment, carried out by our fully trained engineers.

We also supply temporary safety at height solutions with a range of temporary lifelines, and supply a full range of safety harnesses, lanyards, and fall arrest blocks.

Free site surveys are carried out by our technical services staff, in-order to ensure that the equipment we supply is correct for the application and complies with current regulations and guidelines.

PERMANENT LIFELINE SYSTEM

Stainless steel construction, with zinc plated and powder coated base plates. Stainless steel options

3 Trolley options including Patented ACS (Active Cam System)

ACS trolley for inclined roofs

Spans range from 6m to 12m depending on the structure

Range of fixing posts to suit brick, concrete, steel or composite roofing, standing seam, PVC and Bitumen flat roofs

In-line shock absorber and loadcell

Energy absorbing post removable from base plate after a fall, leaving roof panel intact

Complies with . . .

EN 795 Class A & C



VERTICAL RAIL SYSTEM

Rail lengths 4m as standard

Rail weight 3.5kg/m

Rail jointed by 2 dowel studs

End stops at top and bottom optional

Lightweight trolley with integrated shock absorber and karabiner

Trolley weight 0.8kg (including shock absorber and hook)

Brake pad easily replaced

Trolley chromated and powder coated

Bolts fed onto rail prior to connection

EN353-1 AS / NZS 1891.3:1997



GUARDRAILS, LADDERS AND WALKWAYS

Delphini design, supply and install purpose made guardrails, ladders and walkways to suit any shape and size of building.

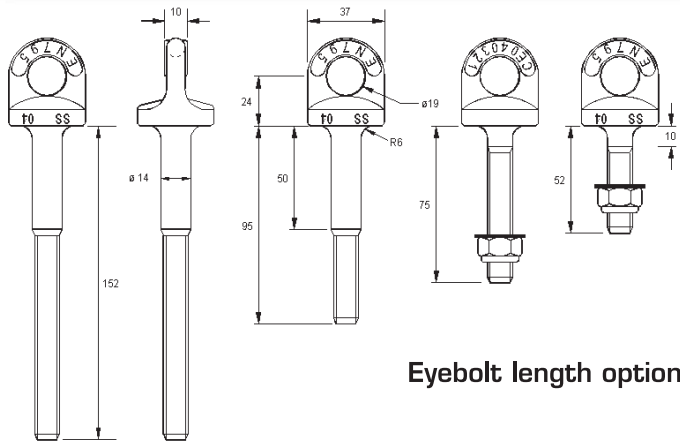
Often roof structures or buildings require a tailored approach, and we at Delphini can offer design, and structural analysis to deliver the complete solution.

Walkways, ladders and guardrails can be designed and fitted to all types of structures and buildings to allow a means of safe access. Delphini have vast experience in bespoke solutions, paying special attention to the sympathetic care and consideration needed for listed buildings and buildings of national importance.

Our technical services staff offer free site surveys and analysis whether it be on existing access equipment or on a new installation.



PERMANENT EYEBOLTS



Eyebolt length options

Suitable for use in load bearing brick, concrete and steel

Galvanised, Stainless Steel and White powder coated finishes available

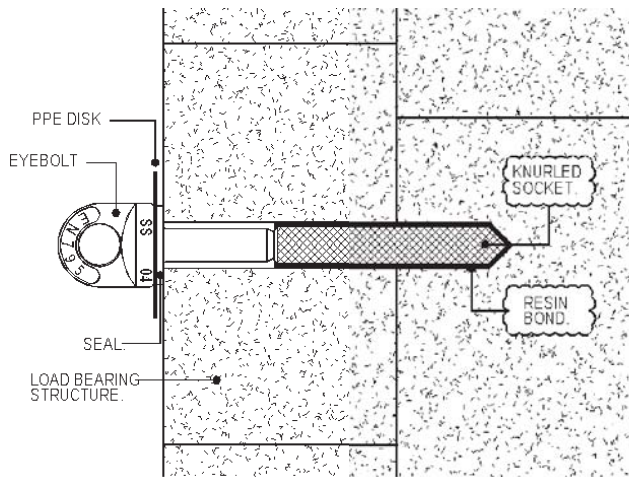
Individually proof tested to 10kN

Full range type tested

Class A1 anchor device to EN795 and BS 7883

CE marked

EN 795 Class A1



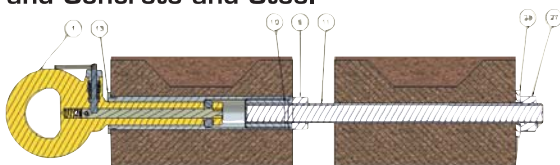
REMOVABLE EYEBOLT SYSTEM

All stainless steel construction
 Double action for safety
 Discreet and unobtrusive
 Colour coded blanking caps
 Small drill hole Nom. 26mm
 360 degree rotation
 Simple release, pull and slide
 Complete range of fixing sockets
 Tested to 15kN
EN 795 Class A1

Brick and Concrete
 Cavity Walls
 Steel



Brick and Concrete and Steel



A-A (1:1)

Cavity Walls

